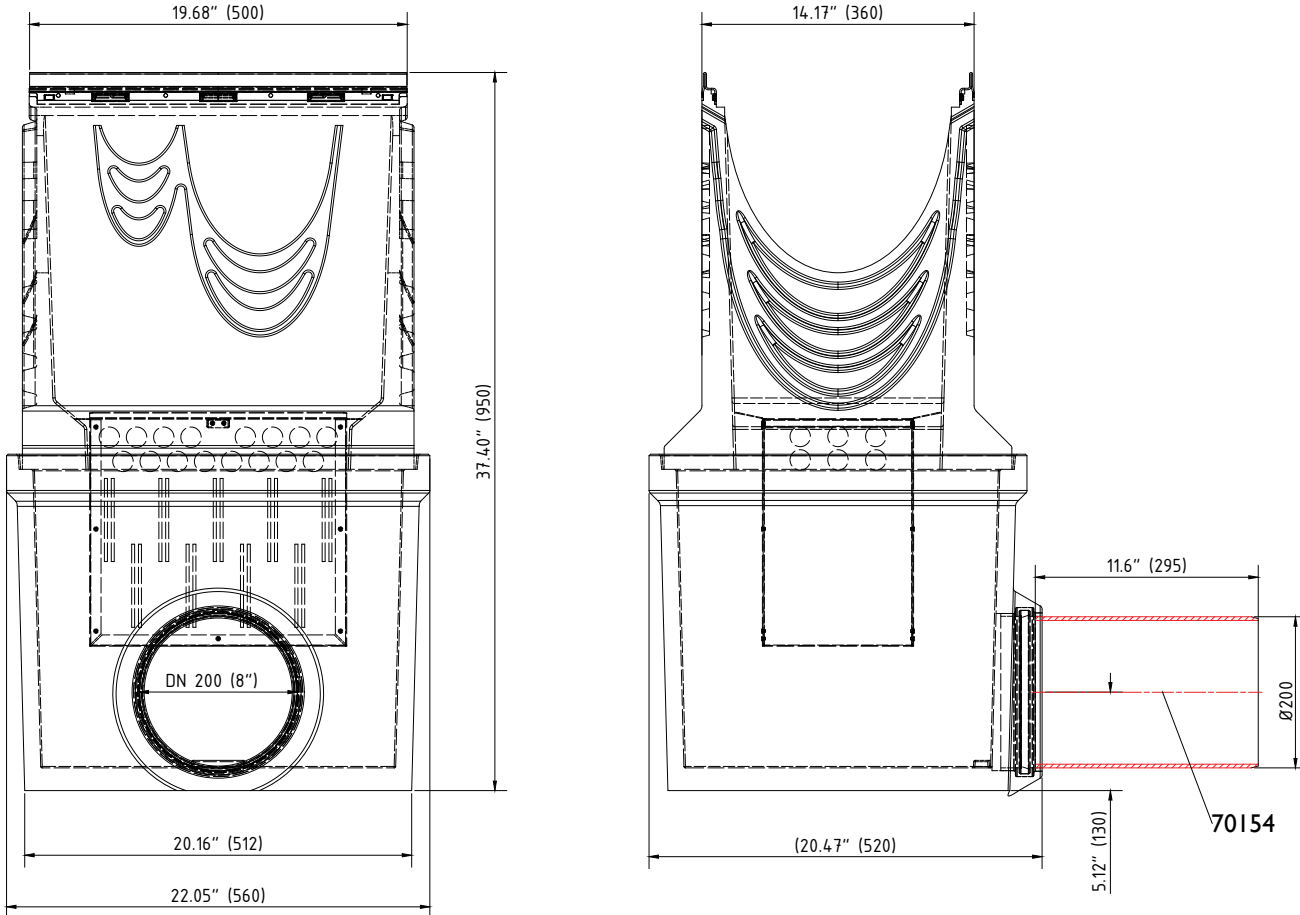


Accessories

1. Sump unit:
 (optional: Silt bucket: 22213)

E 10630392



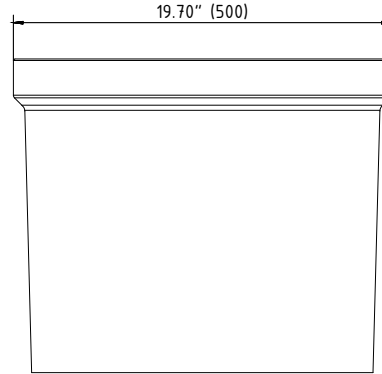
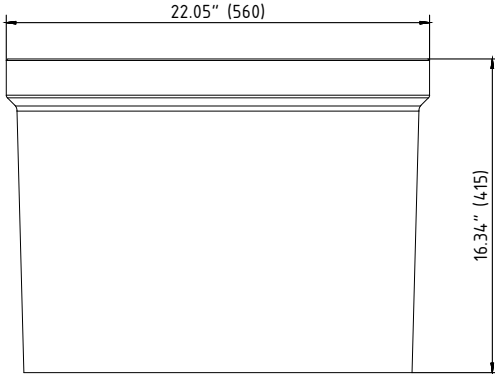
Accessories **BG-FILCOTEN® pro E NW 300 (12")** – heavy duty series

	Item Nno.	Accessories	Material	Weight	
				LBS	kg
○	10630392	Catch basin 12" with stainless steel rails and 8" outlet with seal	FILCOTEN HPC	278.22	126.2
○	22213	Sediment bucket for catch basin	Galvanized steel	7.05	3.2
○	19030313	Front/end cap stainless steel	Stainless steel	3.75	1.7
○	19030314	End cap with outlet DN200	Stainless steel	3.52	1.6
○	19030290	End cap for catch basin with connection cut-outs	Galvanized steel	3.75	1.7
○	19060020	Catch basin extension unit	FILCOTEN	93.69	42.5
○	19021308	8" No Hub bottom outlet	Stainless steel	2.20	1.0
○	19030902	Rebar suport	Fabricated steel	2.64	1.2
○	19030295	Step connector plate NW300 pro 0/10-0/20-0	Galvanized steel	0.92	0.4
○	70154	Pipe connector DN200, L=295mm	Plastic	2.40	1.1

Accessories (cont.)

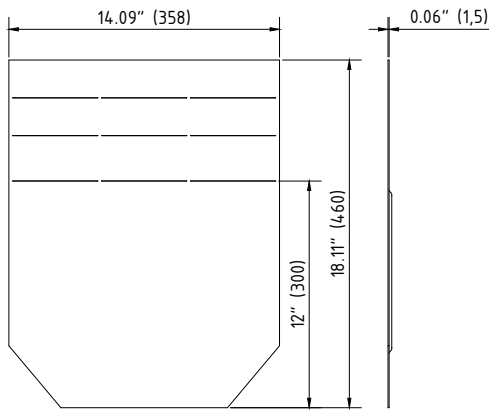
2. Catch basin extention unit:

19060020

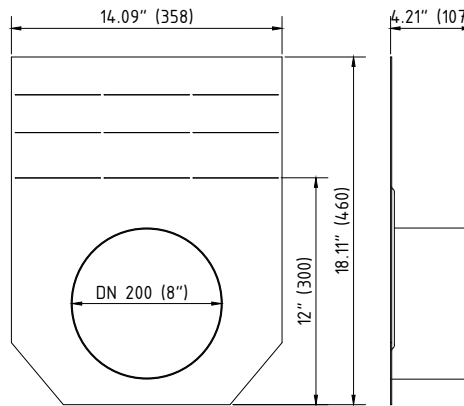


3. End caps:

19030213



19030214



4. Bolting material:

32110
 (Ductil iron grating)

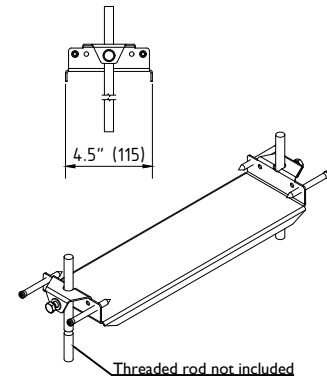
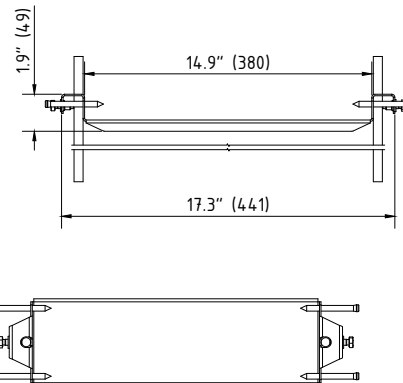
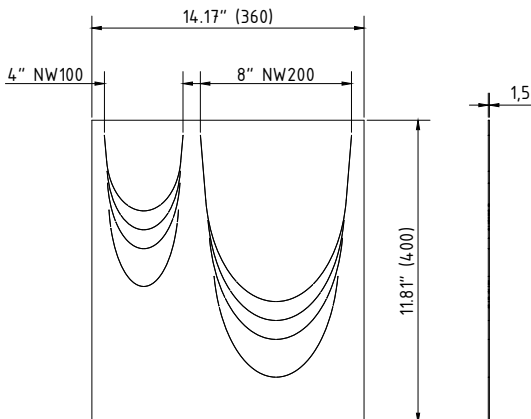


32112
 (Mesh grating)



5. End cap for catch basin with connection cut-outs:

19030290



Threaded rod not included