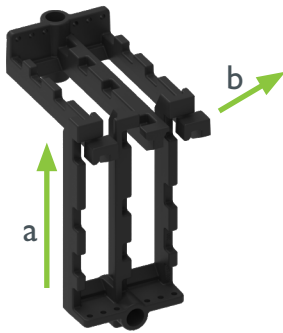


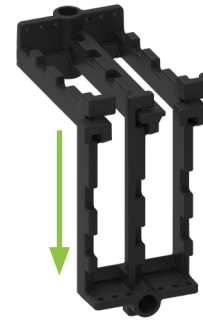


HOW TO ASSEMBLE THE INSTALLATION CHAIR KITS



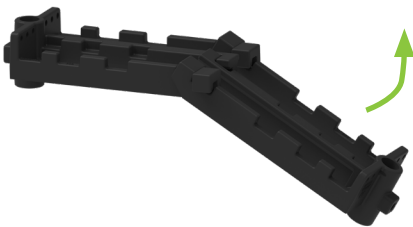
1 Position Pieces

Place the two installation chair pieces perpendicularly (a) and slide them into each other (b). Choose the desired width to match the size of the channel drain (4", 6", 8", or 12", as marked).



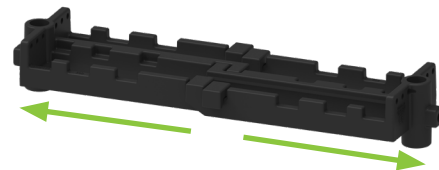
2 Lock Vertical Piece

Slide/clip the ends of the vertical piece into the desired slots.



3 Flip Vertical Piece

Raise the vertical piece upright.

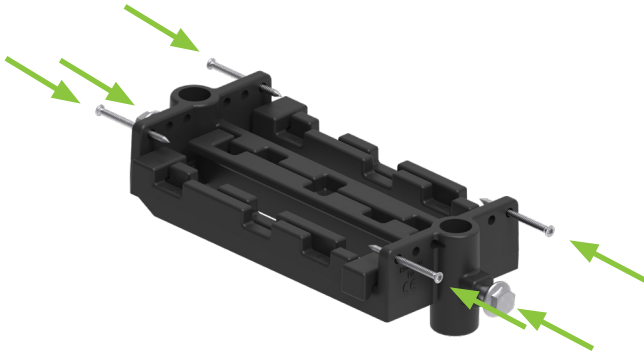


4 Align And Adjust Pieces

Ensure both pieces are aligned horizontally.



GRASPOINTNER
Sustainable innovation.

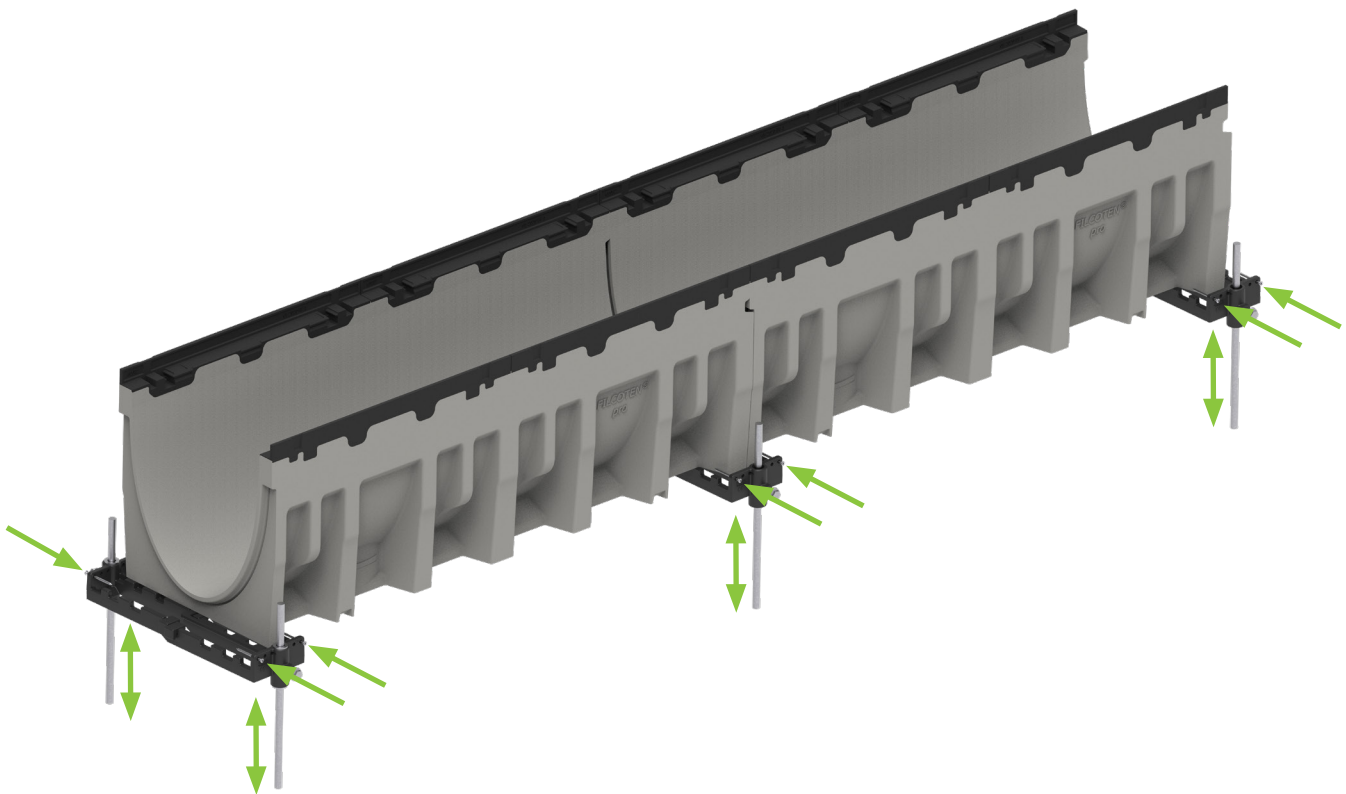


5 Insert Screws and Bolts

Partially insert the 2 bolts and 4 screws provided on both sides of the kit, as shown in the illustration (about 1/2 inch). Later, the 2 bolts will secure the deformed bars (Step 6). The screws can be fastened to secure the channels at Step 7.

6 Insert Deformed Bars

Ground the deformed bars. Then, insert them into the installation chair kit as shown above. Tighten each bolt. These rods will serve as the support legs.



7 Adjust Height

Place an installation chair kit at each channel drain junction and at the ends of the channel drains run. Adjust the installation chair kits height using the bolts. Once the channels are aligned horizontally, tighten the 4 screws to secure the channel units.