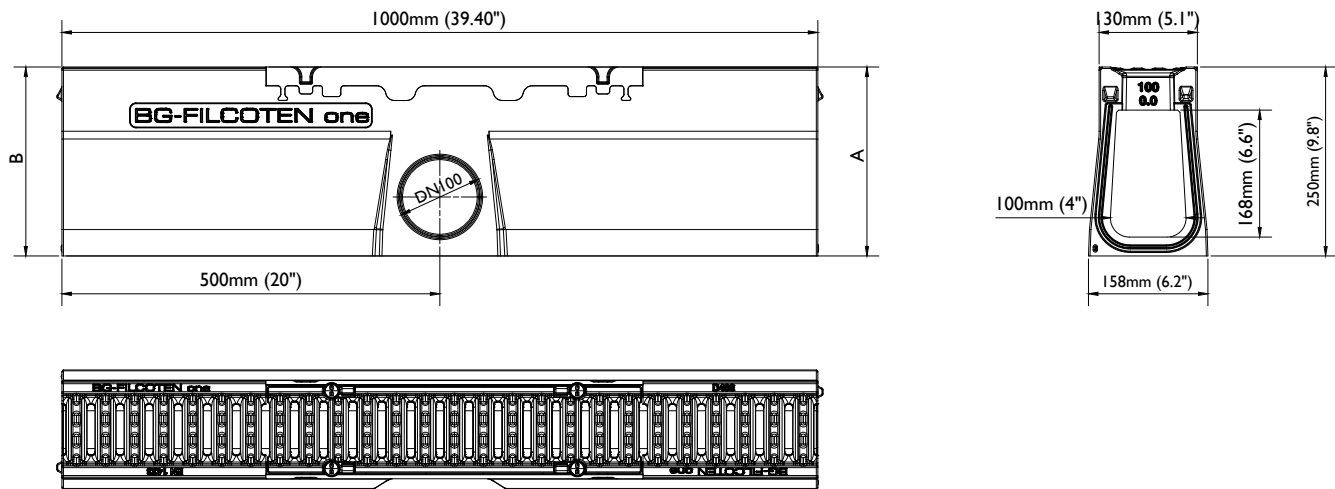


Accessories

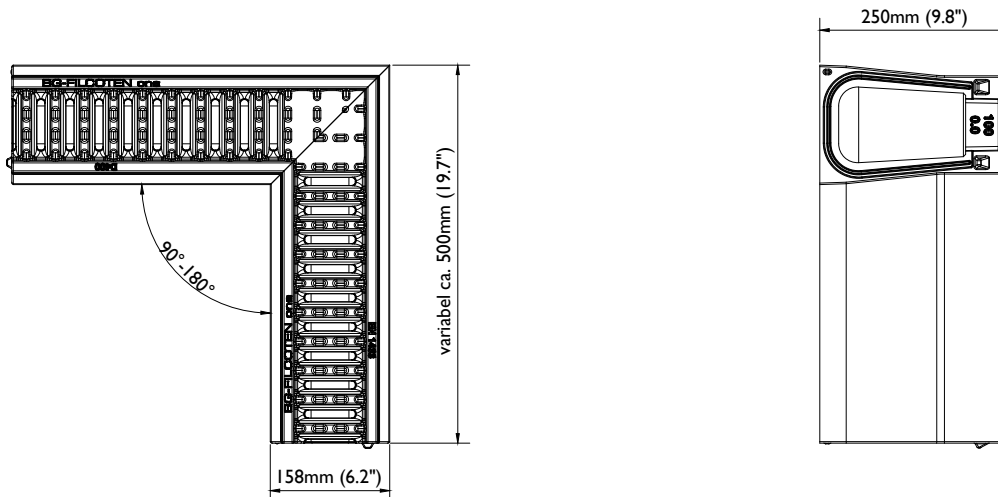
Accessories BG-FILCOTEN® one urban nominal width 100mm / 4" – heavy duty series

	Item no.	Accessories	Material	Weight	
				Kg	Lbs
<input type="radio"/>	15110170	One-piece sump unit DN150 incl. grating and silt bucket	FILCOTEN HPC	44.0	97.00
<input type="radio"/>	15110182	Maintenance unit	FILCOTEN HPC	41.0	90.40
<input type="radio"/>	15110000	Corner unit	FILCOTEN HPC	36.0	79.36
<input type="radio"/>	15110190	Outlet unit with vertical drilling DN100	FILCOTEN HPC	41.0	90.38
<input type="radio"/>	15110175	Sump unit upper part	FILCOTEN HPC	39.0	85.98
<input type="radio"/>	19110095	Sump unit lower part DN150	FILCOTEN HPC	30.0	66.13
<input type="radio"/>	191110100	Front plate (without outlet)	FILCOTEN HPC	1.9	4.18
<input type="radio"/>	191110110	End plate (with outlet DN100)	FILCOTEN HPC	1.4	3.08
<input type="radio"/>	190110900	Lifting hooks (2 pieces)	GALVANIZED STEEL	0.3	0.66
<input type="radio"/>	32103	Galvanized bolting material	GALVANIZED STEEL		
<input type="radio"/>	32109	Stainless steel bolting material	STAINLESS STEEL		

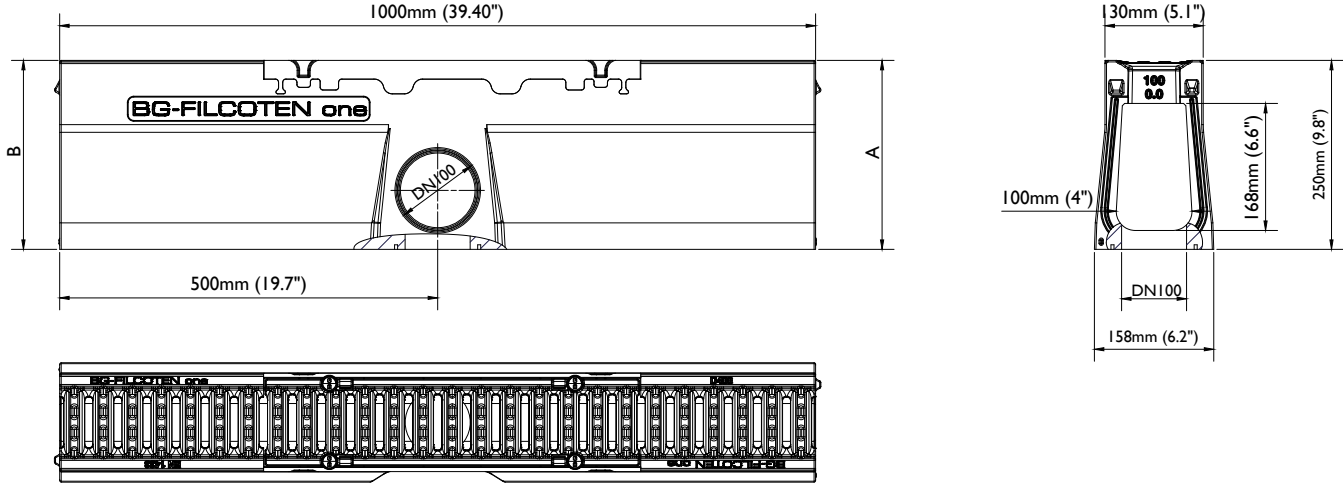
Maintenance Unit (lateral drilling optional)



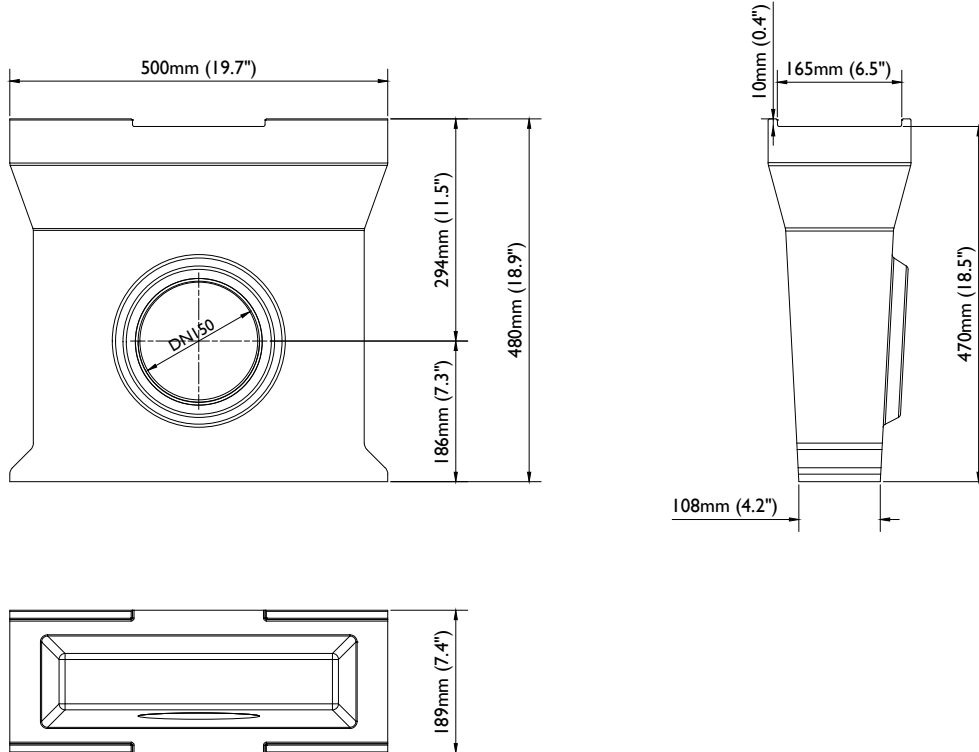
Corner Unit



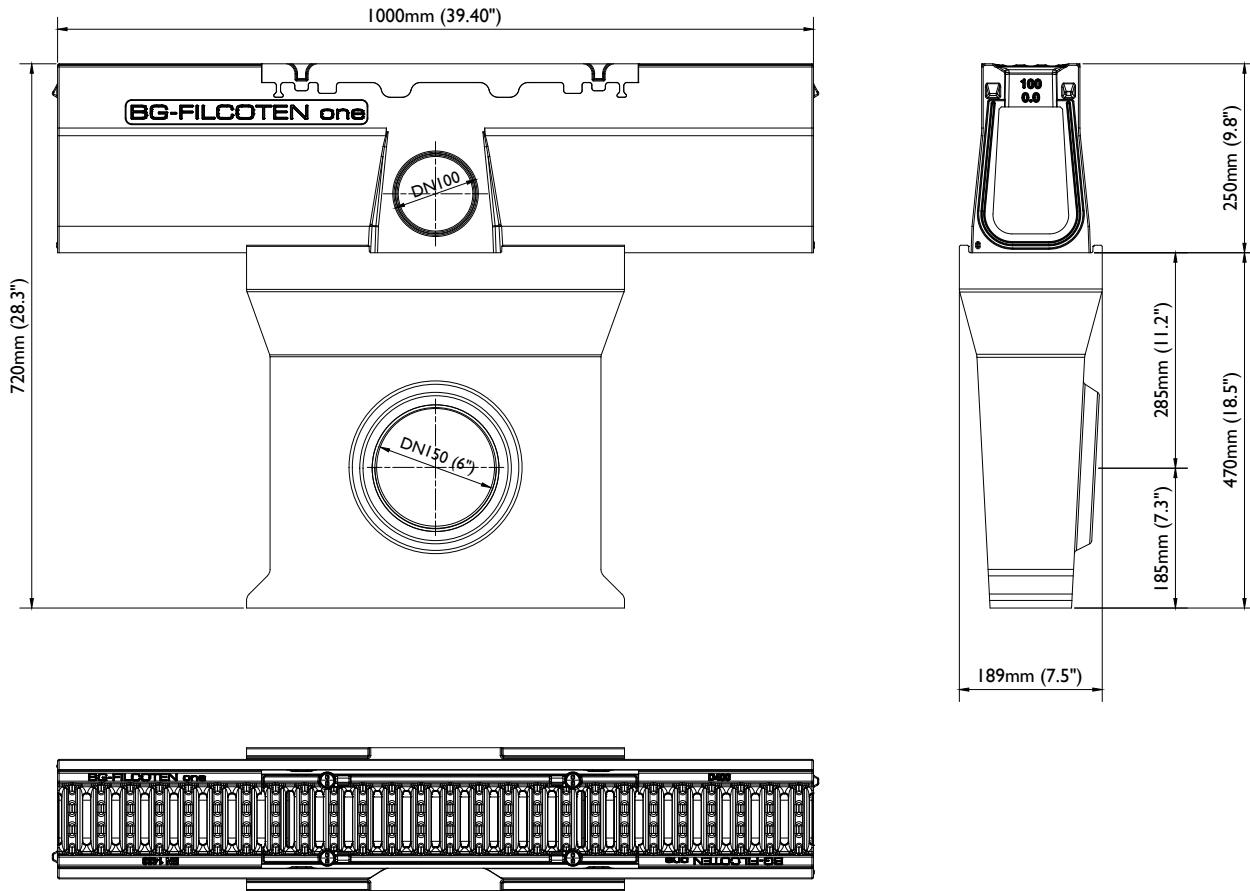
Outlet unit with vertical drilling DN 100 (lateral drilling optional)



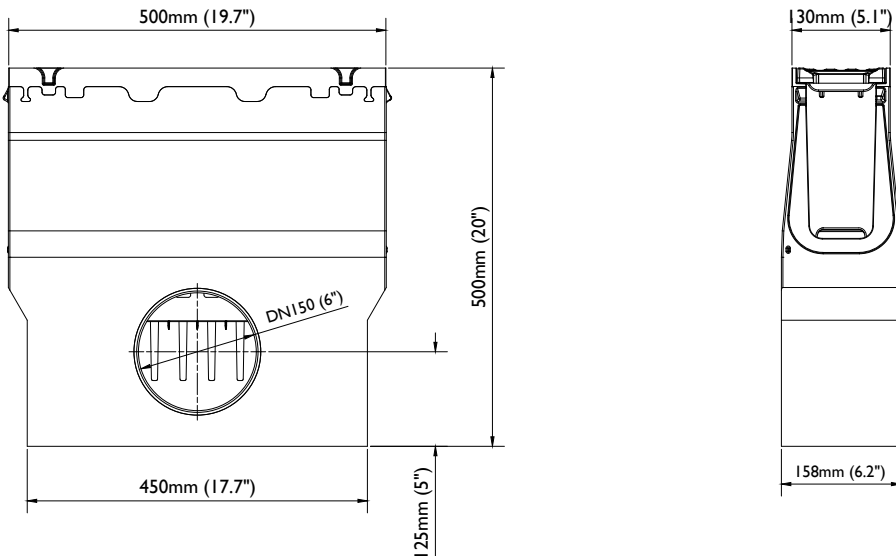
Sump unit lower part DN150



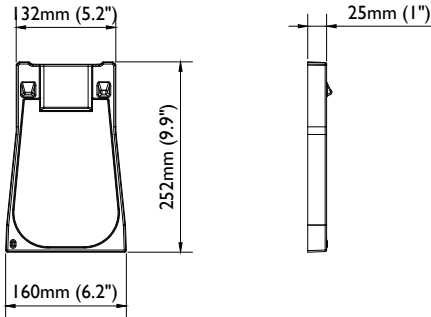
Assembly sump unit upper part and lower part DN150



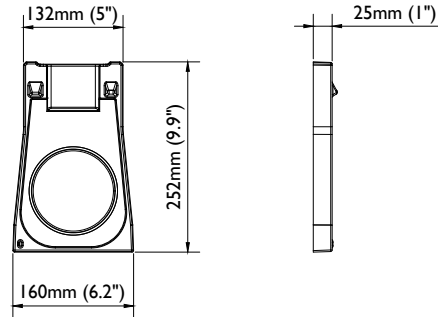
One-piece sump unit DN150 incl. grating and silt bucket



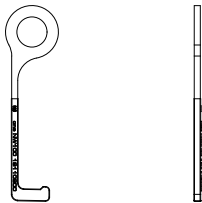
Front plate (without outlet):



End plate (with outlet DN100):



Lifting hooks (2 pieces) :



Bolting material:

BG code: V 32103:

BG code: E 32109:

