



GRASPOINTNER  
Sustainable innovation.



Seaport Southampton, Great Britain

Brings water  
on line - and  
on distance.

Line drainage and  
retention by

**BG-GATIC**

Drainage systems



Made in America also available!





GRASPOINTNER  
Sustainable innovation.

BG-GATIC

Perfect performance

in challenging environments.



Singapore Airport

## BG-Graspointner & GATIC Slotdrain: Because the **best** only work with the **best**.

In Gatic, we have found a partner who stands for innovation and cutting-edge technology – and who is therefore the perfect partner. Together we can offer you a unique set of truly special products.

Just the way we like it: The innovative solution for ports, airports and other heavy-duty locations.

Gatic Slotdrain is an innovative system that combines high-performance line drainage and effective retention – for the ultimate hydraulic requirements under extreme conditions. An ideal addition to our product portfolio.

Two becomes one: Gatic Slotdrain combines line drainage and retention in a single component.

In addition to this, Gatic Slotdrain offers many other innovations. Here is an overview of all the highlights:

- Line drainage and retention for the ultimate hydraulic requirements under extreme conditions (up to load class F900)
- Safely accommodate and control large volumes of water
- Large storage capacity for retention (the hexagonal profile acts as a storage chamber)
- Safe and quick drainage of large quantities of rain water
- Significantly less additional channel construction work required
- Light components for easy handling at the construction on site
- Quick installation without the need of heavy lifting equipment
- Low point loading for the system due to fully reduced cover surface



Ottawa Airport, Canada



Southampton Container Port, UK



Heathrow Airport, London



GRASPOINTNER  
Sustainable innovation.

# Customised software - digital **service.**

With a state-of-the-art development software, our partner company is offering the perfect tool for you to plan your line drainage system.

## All of your planning using just a single tool.

The user-friendly program guides you through the whole planning process to ensure all your project requirements are met. It is hardly surprising that this software is already being used around the world for the most advanced surface drainage models.

And best of all: you can get the software for free from [www.gatic.com](http://www.gatic.com). After registering with MyGatic, you can then download the software in the download area or simply send us an e-mail to request the planning tool.



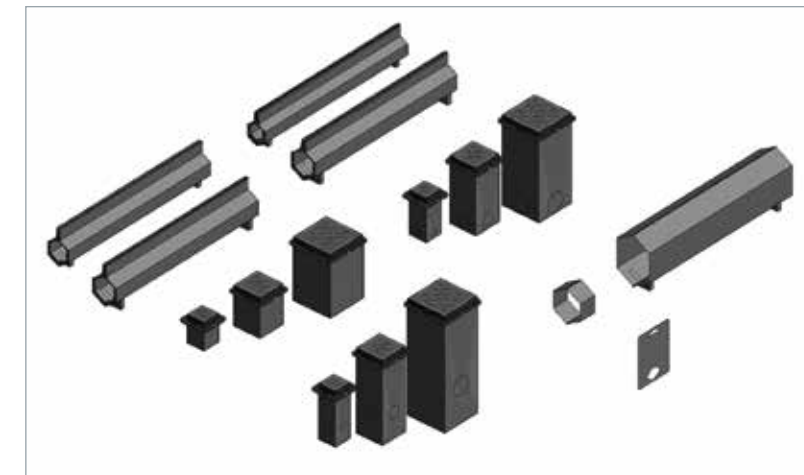
Gatic Slotdrain channel with graphical user interface and 3D view

BIM data:

**Because the most innovative line drainage merits the most efficient planning.**

BIM data for all products of the Gatic system are of course also available for computer-aided planning. But data is not merely data. Here too we are offering you ultimate user-friendliness and maximum efficiency:

- Low amount of data despite extreme precision (LOD/LOI 300-400)
- Line lengths easy to adapt
- Gratings can be selected and viewed visually – including slot covers
- Automatic positioning of the channel including grating on the surface
- End plates can be chosen with or without outlet
- Concrete casing for “clash detection”, material consumption provided for excavation and amount of concrete per load class
- Item numbers of the channels and covers
- Links to homepage for additional information about installation, system, declarations of performance



Screenshot of BIM database



# Proven performance.



Gatic Slotdrain delivers what it promises. This is demonstrated by the various demanding standards to which it complies:

- **ISO 9001** - recognised standard for improving the quality of products, processes and services.
- **European Standard EN 1433 'Drainage Channels for Vehicular and Pedestrian Areas'** - The only internationally recognised standard that has been specifically drawn up for drainage channels and slot channel systems. This standard takes into consideration load classes between A15 and F900.
- **BS EN 877** - This standard applies to cast iron pipes and fittings, their joints and accessories for draining water from buildings. It includes various requirements, test methods and a comprehensive quality assurance framework along with topics such as sustainability and the environment.

## Highest demands – including environmental protection

Another reason why we decided to work alongside Gatic is that environmental protection is also extremely important to our partner company.

Gatic demonstrably champions the implementation of environmentally friendly business practices in all of its procedures.

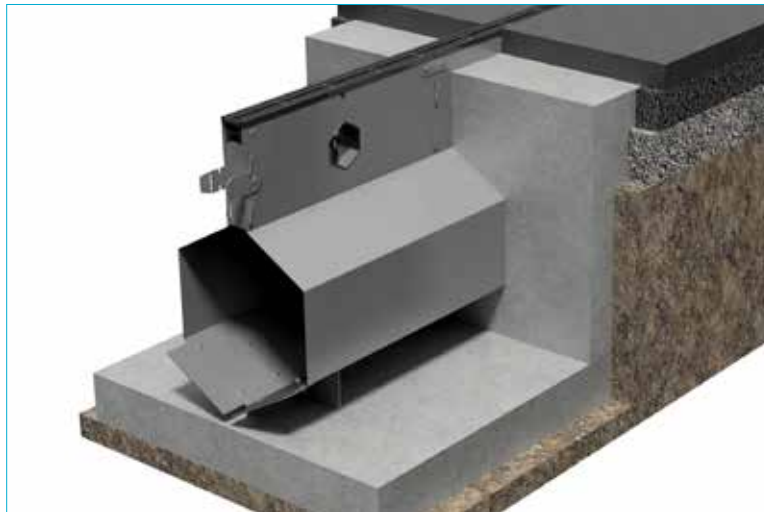
The following standards are met:

- **ISO 14001 for environmental management systems** - ISO 14001 ensures a continuous improvement process as a means of achieving the environmental protection goals of a company. This guarantees that the set goals are actually achieved.
- **BREEAM** - The world's foremost assessment system for the ecological quality of buildings. Development teams use BREEAM as a process to improve the performance of their buildings and in general to expand their knowledge in the field of sustainable construction. Gatic channels have been used in numerous projects with BREEAM.



# Areas of application: Always **right**, when the going gets **tough**.

## Gatic CastSlot and CastSlot Treadsafe:



The nondescript profile of CastSlot sits neatly within concrete, asphalt and paved surfaces - and the system is also extremely robust.

How? Using sophisticated technology: CastSlot features a CDP-coated ductile iron throat section, which is securely anchored into the galvanised steel channel body.

CastSlot is available as standard with a 30 mm / 1.18" opening and can be enhanced with a Treadsafe option whereby the slot opening is reduced to 2 x 10 mm / 2" x 0.4" wide slots.

Load class: D400 to F900



PaveSlot is used to drain external hard surface areas where a neat, unobtrusive aesthetic is required.

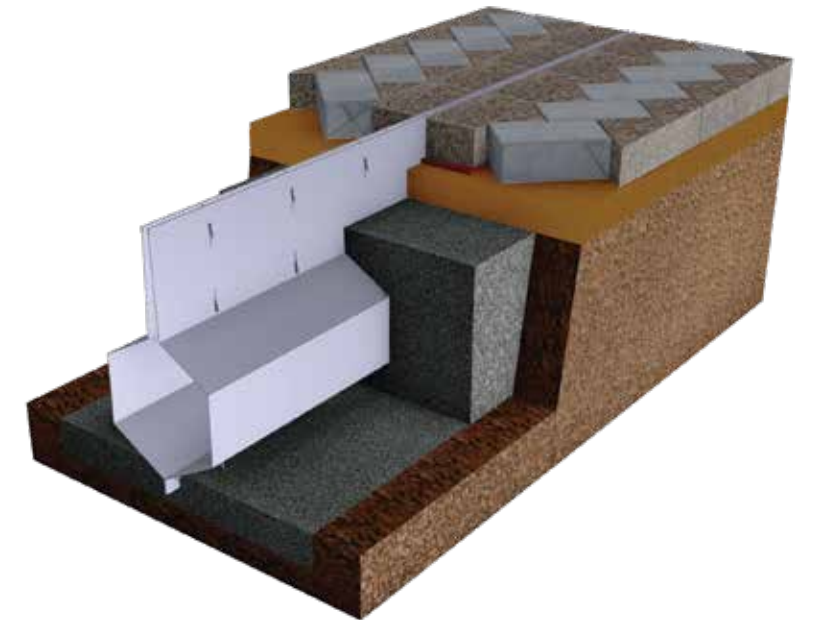
The system is used with paving units laid against the top edge of the channel.

The system is suitable for all paved areas, in public and commercial projects, e.g. landscaping and pedestrian schemes, shopping centres and retail parks.

Load class: A15 to C250



## Gatic PaveSlot:



## Gatic UltraSlot and UltraSlot Treadsafe:



UltraSlot is used in outdoor concrete areas such as airports, ports, motorways and similar areas. The system has been developed for irregular ultra-heavy-duty loads.

With the Treadsafe design, the slot opening is reduced from 30 mm / 1.18" to 2 x 9 mm / 2" x 0.35" wide slots.

Load class: D400 to F900



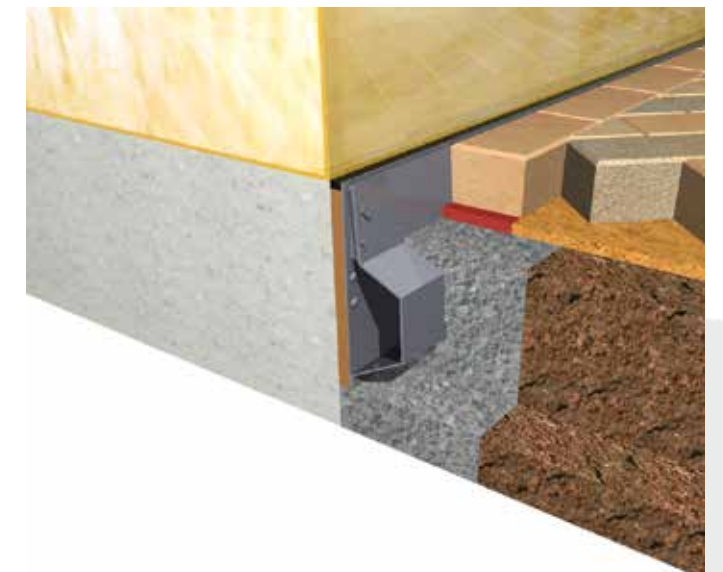
A discreet surface drainage channel that can be installed against a building, wall or other external landscape feature, to provide effective drainage from vertical surfaces, door thresholds and adjacent pavement areas.

FacadeSlot channels can be made to follow the building perimeter whether straight or curved. The system can accommodate rainwater downpipes which, when positioned over a simple rainwater inlet box, can eliminate the need for a separate drainage network for the roof area, achieving a more efficient drainage system.

Load class: A15



## Gatic FacadeSlot:



Heavy rain, large volumes of water, heavy loads – a nightmare for some but the ideal conditions for the Gatic line drainage system. Thanks to its unique technology, which combines line drainage and retention, such challenging environments are the perfect installation site for this product:

## Landscaping and Pedestrian Schemes

Landscaping and pedestrian schemes include domestic driveways and paved areas. For these projects the aesthetics and design of the slot or channel drain is important to ensure it is discreet and fits seamlessly with the surrounding environment.



## Car Parks

In car parks, slow turning traffic and a constant flow of vehicles make for a demanding and harsh environment for any surface water drainage system. Strength and durability of the slot or channel drain are essential in these high traffic areas.



## Petrol Stations and Forecourts

Petrol stations and forecourts mean wide open spaces and constant weight of traffic. Robustness of the slot or channel drain is essential.



## Bus Terminals

Bus terminals and public transport facilities place heavy demands on surfaces and infrastructure. Strength and reliability are key criteria.



## Shopping Centres and Retail Parks

Shopping centres and retail parks need unobtrusive but effective drainage to maintain an attractive environment. Looks, style and performance are all important characteristics for these projects.



## Motorways and highways

Motorways and highways are under constant strain, whether from heavy traffic volumes or a rise in the number of trucks. The drainage system must therefore not only drain large volumes of rainfall, it must also be extremely resilient – perfect requirements for our system.



## Logistics centres and industrial facilities

Logistics centres and industrial facilities not only have large surface areas or road networks, they must also cope with heavy-duty vehicles using them. Here too, Gatic Slotdrain provides efficient and durable drainage.



## Container ports and distribution centres

Container ports and distribution centres are extremely challenging environments, which are continuously subjected to extreme loads from tractor and trailer units. Gatic Slotdrain has been specifically designed for such environments.



## Ports and docks

Large ports and docks are occupied by heavy-duty vehicles such as trucks and cranes, which place high demands on the drainage system. Only products with the highest specifications are fit for this purpose – e.g. Gatic Slotdrain.



## Airports

On airport runways in particular, the Gatic line drainage system is able to exploit its full potential. Airport traffic and aircraft weights are increasing year on year and are proving to be quite a challenge for the drainage channels.





# Perfectly designed to meet your requirements.

Listening to the customer, analysing the requirement.

The hexagonal channel profile by Gatic Slotdrain was developed following this principle and in collaboration with experts from the aviation industry.

## Efficient, whether large-scale or small.

The concept has proved infinitely scalable and has been further developed into a comprehensive range of different products, which are also suitable for smaller projects such as landscaping projects, shopping centres and car parks.

## Intelligent design and easy to handle.

The current range includes CastSlot, UltraSlot, PaveSlot and FacadeSlot and together with the complementary accessories, offer total planning flexibility.

All channels are manufactured from galvanised steel in 3 metre, 1 metre and 0.5 metre lengths, benefiting from fewer joints and improved flow performance.

Customised units are available on request to suit specific design requirements and are also available in stainless steel. Gatic Slotdrain channels are suitable for applications up to load class F900 (depending on the system type).

## Top performance – when it comes to maintenance too.

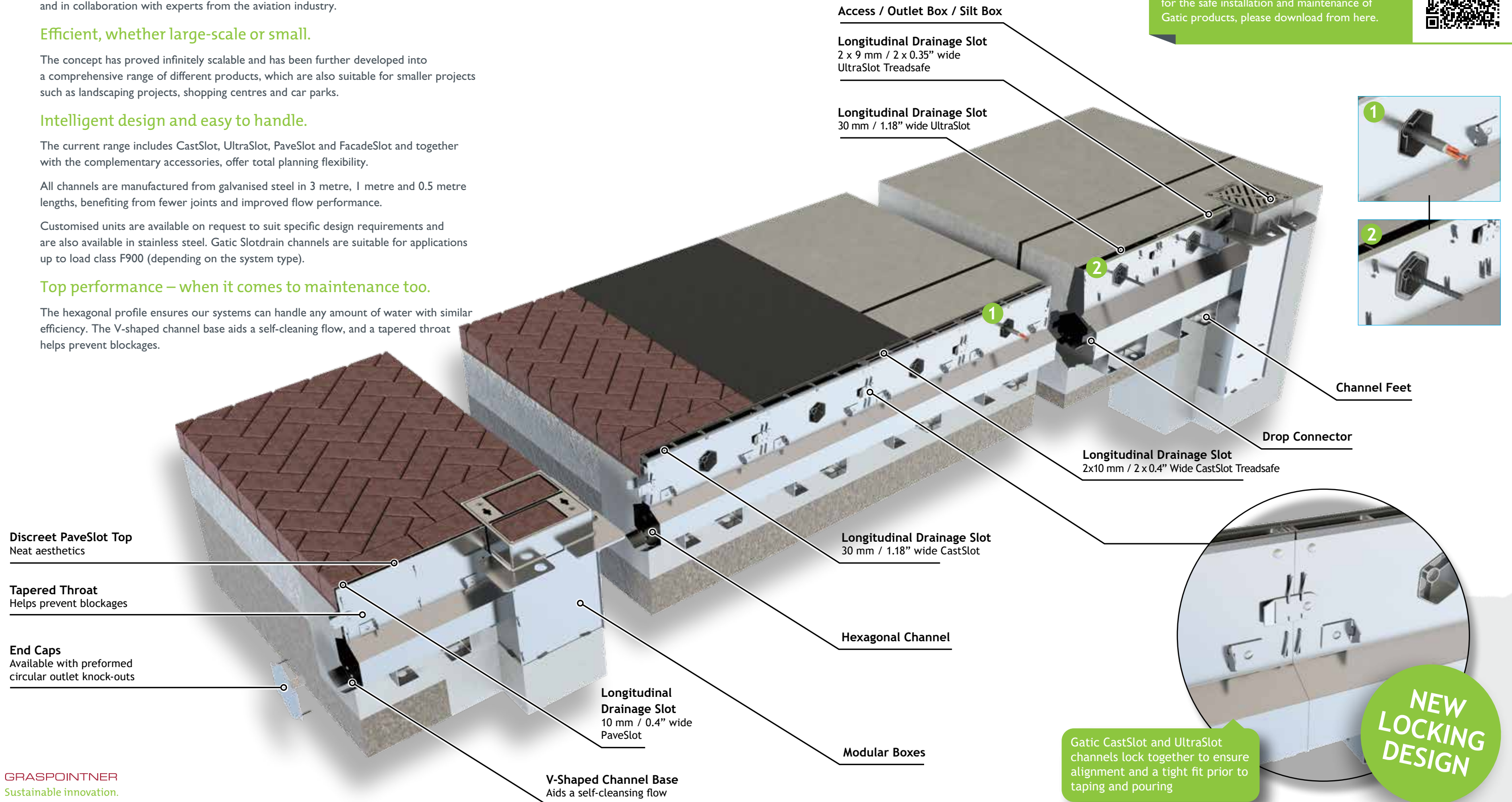
The hexagonal profile ensures our systems can handle any amount of water with similar efficiency. The V-shaped channel base aids a self-cleaning flow, and a tapered throat helps prevent blockages.

## Sustainable manufacturing and installation.

Gatic Slotdrain is installed mechanically. This eliminates the need for welding and minimises energy usage in the manufacturing process. A significant proportion of the raw materials used are from recycled sources. Gatic Slotdrain is manufactured from sheet steel and is 100% recyclable.

## Installation and maintenance guidelines

for the safe installation and maintenance of Gatic products, please download from here.



**Accessories**

A comprehensive range of accessories is available to suit every conceivable system design.

The range of standard accessories (shown here) is available to suit all types and sizes of Slotdrain channels.

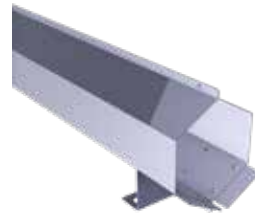
- Cover and gratings are delivered with locking bolts.



Universal end caps



Drop connector



Channel pipes



Catchpit connectors



Flow regulators



Access box - shown with grating



Access box - shown with recessed cover



Outlet box - shown with grating



Outlet box - shown with recessed cover



Silt box - shown with grating



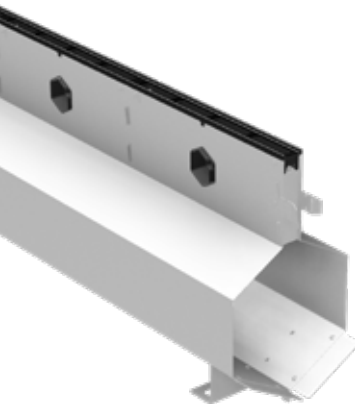
Silt box - shown with recessed cover

# References



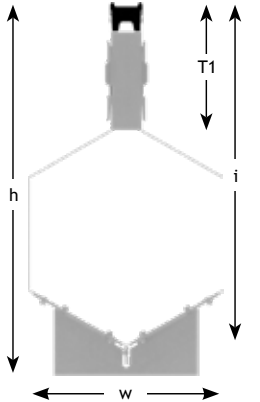


Gatic CastSlot



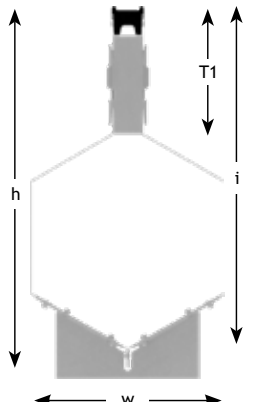
CastSlot 3m / 10' Channels

Code	Description	Load class	Surface coating	Length (mm / inches)	Width (w) (mm / inches)	Height (h) (mm / inches)	Invert (i) (mm / inches)	Throat depth (T1) (mm / inches)	Throat width (mm / inches)	Slot width (mm / inches)	Inlet cross section (cm <sup>2</sup> / inches <sup>2</sup> )	Weight (kg / lbs)
55010230	100mm / 4" CastSlot - 3m / 10'	Up to F900	Concrete / Asphalt / Paving	3000 / 118.11"	100 / 3.94"	357 / 14.06"	308 / 12.12"	200 / 7.87"	51 / 2.00"	30 / 1.18"	263.5 / 40.84	43.3 / 95.46
55015230	150mm / 6" CastSlot - 3m / 10'	Up to F900	Concrete / Asphalt / Paving	3000 / 118.11"	150 / 5.91"	415 / 16.34"	366 / 14.41"	200 / 7.87"	51 / 2.00"	30 / 1.18"	263.5 / 40.84	49.5 / 109.13
55022230	225mm / 9" CastSlot - 3m / 10'	Up to F900	Concrete / Asphalt / Paving	3000 / 118.11"	225 / 8.86"	501 / 19.72"	452 / 17.80"	200 / 7.87"	51 / 2.00"	30 / 1.18"	263.5 / 40.84	59.7 / 131.62
55030230	300mm / 12" CastSlot - 3m / 10'	Up to F900	Concrete / Asphalt / Paving	3000 / 118.11"	300 / 11.81"	587 / 23.11"	538 / 21.18"	200 / 7.87"	51 / 2.00"	30 / 1.18"	263.5 / 40.84	68.9 / 151.90
55035230	350mm / 14" CastSlot - 3m / 10'	Up to F900	Concrete / Asphalt / Paving	3000 / 118.11"	350 / 13.78"	645 / 25.39"	596 / 23.46"	200 / 7.87"	51 / 2.00"	30 / 1.18"	263.5 / 40.84	75.1 / 165.57
55040230	400mm / 16" CastSlot - 3m / 10'	Up to F900	Concrete / Asphalt / Paving	3000 / 118.11"	400 / 15.75"	712 / 28.03"	652 / 25.67"	200 / 7.87"	51 / 2.00"	30 / 1.18"	263.5 / 40.84	124.8 / 275.14
55050230	500mm / 20" CastSlot - 3m / 10'	Up to F900	Concrete / Asphalt / Paving	3000 / 118.11"	500 / 19.69"	828 / 32.60"	768 / 30.24"	200 / 7.87"	51 / 2.00"	30 / 1.18"	263.5 / 40.84	145.4 / 320.55
55060230	600mm / 24" CastSlot - 3m / 10'	Up to F900	Concrete / Asphalt / Paving	3000 / 118.11"	600 / 23.62"	1091 / 42.95"	1031 / 40.59"	200 / 7.87"	51 / 2.00"	30 / 1.18"	263.5 / 40.84	215.1 / 474.21



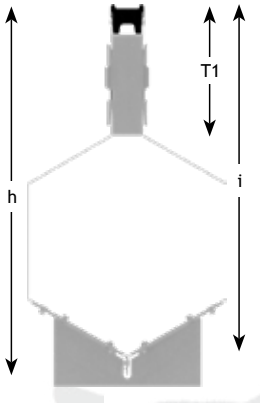
CastSlot 1m / 3.28' Channels

Code	Description	Load class	Surface coating	Length (mm / inches)	Width (w) (mm / inches)	Height (h) (mm / inches)	Invert (i) (mm / inches)	Throat depth (T1) (mm / inches)	Throat width (mm / inches)	Slot width (mm / inches)	Inlet cross section (cm <sup>2</sup> / inches <sup>2</sup> )	Weight (kg / lbs)
55010210	100mm / 4" CastSlot - 1m / 3.28'	Up to F900	Concrete / Asphalt / Paving	1000 / 39.37"	100 / 3.94"	357 / 14.06"	308 / 12.12"	200 / 7.87"	51 / 2.00"	30 / 1.18"	263.5 / 40.84	15.2 / 33.51
55015210	150mm / 6" CastSlot - 1m / 3.28'	Up to F900	Concrete / Asphalt / Paving	1000 / 39.37"	150 / 5.91"	415 / 16.34"	366 / 14.41"	200 / 7.87"	51 / 2.00"	30 / 1.18"	263.5 / 40.84	17.3 / 38.14
55022210	225mm / 9" CastSlot - 1m / 3.28'	Up to F900	Concrete / Asphalt / Paving	1000 / 39.37"	225 / 8.86"	501 / 19.72"	452 / 17.80"	200 / 7.87"	51 / 2.00"	30 / 1.18"	263.5 / 40.84	21.5 / 47.40
55030210	300mm / 12" CastSlot - 1m / 3.28'	Up to F900	Concrete / Asphalt / Paving	1000 / 39.37"	300 / 11.81"	587 / 23.11"	538 / 21.18"	200 / 7.87"	51 / 2.00"	30 / 1.18"	263.5 / 40.84	24.6 / 54.23
55035210	350mm / 14" CastSlot - 1m / 3.28'	Up to F900	Concrete / Asphalt / Paving	1000 / 39.37"	350 / 13.78"	645 / 25.39"	596 / 23.46"	200 / 7.87"	51 / 2.00"	30 / 1.18"	263.5 / 40.84	26.7 / 58.86
55040210	400mm / 16" CastSlot - 1m / 3.28'	Up to F900	Concrete / Asphalt / Paving	1000 / 39.37"	400 / 15.75"	712 / 28.03"	652 / 25.67"	200 / 7.87"	51 / 2.00"	30 / 1.18"	263.5 / 40.84	45.2 / 99.65
55050210	500mm / 20" CastSlot - 1m / 3.28'	Up to F900	Concrete / Asphalt / Paving	1000 / 39.37"	500 / 19.69"	828 / 32.60"	768 / 30.24"	200 / 7.87"	51 / 2.00"	30 / 1.18"	263.5 / 40.84	52.2 / 115.08
55060210	600mm / 24" CastSlot - 1m / 3.28'	Up to F900	Concrete / Asphalt / Paving	1000 / 39.37"	600 / 23.62"	1091 / 42.95"	1031 / 40.59"	200 / 7.87"	51 / 2.00"	30 / 1.18"	263.5 / 40.84	75.5 / 166.45



CastSlot 500mm / 1.64' Channels

Code	Description	Load class	Surface coating	Length (mm / inches)	Width (w) (mm / inches)	Height (h) (mm / inches)	Invert (i) (mm / inches)	Throat depth (T1) (mm / inches)	Throat width (mm / inches)	Slot width (mm / inches)	Inlet cross section (cm <sup>2</sup> / inches <sup>2</sup> )	Weight (kg / lbs)
55010205	100mm / 4" CastSlot - 500mm / 1.64'	Up to F900	Concrete / Asphalt / Paving	500 / 19.69"	100 / 3.94"	357 / 14.06"	308 / 12.12"	200 / 7.87"	51 / 2.00"	30 / 1.18"	263.5 / 40.84	8.1 / 17.86
55015205	150mm / 6" CastSlot - 500mm / 1.64'	Up to F900	Concrete / Asphalt / Paving	500 / 19.69"	150 / 5.91"	415 / 16.34"	366 / 14.41"	200 / 7.87"	51 / 2.00"	30 / 1.18"	263.5 / 40.84	9.2 / 20.28
55022205	225mm / 9" CastSlot - 500mm / 1.64'	Up to F900	Concrete / Asphalt / Paving	500 / 19.69"	225 / 8.86"	501 / 19.72"	452 / 17.80"	200 / 7.87"	51 / 2.00"	30 / 1.18"	263.5 / 40.84	11.8 / 26.01
55030205	300mm / 12" CastSlot - 500mm / 1.64'	Up to F900	Concrete / Asphalt / Paving	500 / 19.69"	300 / 11.81"	587 / 23.11"	538 / 21.18"	200 / 7.87"	51 / 2.00"	30 / 1.18"	263.5 / 40.84	13.4 / 29.54
55035205	350mm / 14" CastSlot - 500mm / 1.64'	Up to F900	Concrete / Asphalt / Paving	500 / 19.69"	350 / 13.78"	645 / 25.39"	596 / 23.46"	200 / 7.87"	51 / 2.00"	30 / 1.18"	263.5 / 40.84	14.5 / 31.97
55040205	400mm / 16" CastSlot - 500mm / 1.64'	Up to F900	Concrete / Asphalt / Paving	500 / 19.69"	400 / 15.75"	712 / 28.03"	652 / 25.67"	200 / 7.87"	51 / 2.00"	30 / 1.18"	263.5 / 40.84	25.3 / 55.78
55050205	500mm / 20" CastSlot - 500mm / 1.64'	Up to F900	Concrete / Asphalt / Paving	500 / 19.69"	500 / 19.69"	828 / 32.60"	768 / 30.24"	200 / 7.87"	51 / 2.00"	30 / 1.18"	263.5 / 40.84	28.9 / 63.71
55060205	600mm / 24" CastSlot - 500mm / 1.64'	Up to F900	Concrete / Asphalt / Paving	500 / 19.69"	600 / 23.62"	1091 / 42.95"	1031 / 40.59"	200 / 7.87"	51 / 2.00"	30 / 1.18"	263.5 / 40.84	40.6 / 89.51



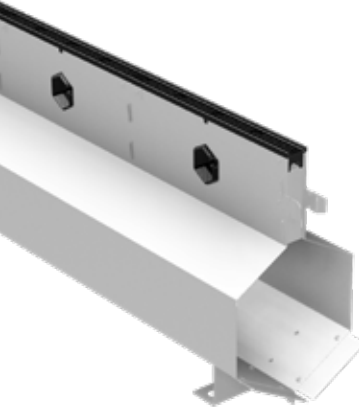
CastSlot Drop Connectors

Code	Description	From channel width (mm / inches)	To channel width (mm / inches)	Weight (kg / lbs)
55900220	100 - 150mm / 4" - 6" Drop Connector	100 / 4"	150 / 6"	0.4 / 0.88
55900221	150 - 225mm / 6" - 9" Drop Connector	150 / 6"	225 / 9"	0.7 / 1.54
55900222	225 - 300mm / 9" - 12" Drop Connector	225 / 9"	300 / 12"	0.9 / 1.98
55900223	300 - 350mm / 12" - 14" Drop Connector	300 / 12"	350 / 14"	1 / 2.2
55900224	350 - 400mm / 14" - 16" Drop Connector	350 / 14"	400 / 16"	1.7 / 3.75
55900225	400 - 500mm / 16" - 20" Drop Connector	400 / 16"	500 / 20"	2.7 / 5.95
55900226	500 - 600mm / 20" - 24" Drop Connector	500 / 20"	600 / 24"	5.9 / 13



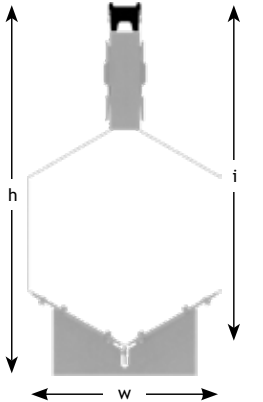


Gatic CastSlot Treadsafe



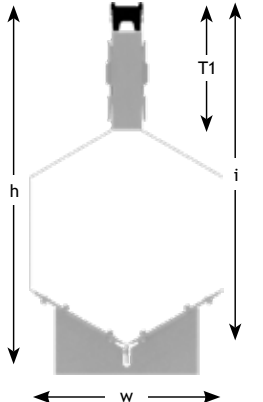
CastSlot Treadsafe 3m / 10' Channels

Code	Description	Load class	Surface coating	Length (mm / inches)	Width (w) (mm / inches)	Height (h) (mm / inches)	Invert (i) (mm / inches)	Throat depth (TI) (mm / inches)	Throat width (mm / inches)	Slot width (mm / inches)	Inlet cross section (cm <sup>2</sup> / inches <sup>2</sup> )	Weight (kg / lbs)
55110230	100mm / 4" CastSlot Treadsafe - 3m / 10'	Up to F900	Concrete / Asphalt / Paving	3000 / 118.11"	100 / 3.94"	357 / 14.06"	308 / 12.12"	200 / 7.87"	51 / 2.00"	2x10/2x0.4	175 / 27.13	44.7 / 98.55
55115230	150mm / 6" CastSlot Treadsafe - 3m / 10'	Up to F900	Concrete / Asphalt / Paving	3000 / 118.11"	150 / 5.91"	415 / 16.34"	366 / 14.41"	200 / 7.87"	51 / 2.00"	2x10/2x0.4	175 / 27.13	51 / 112.44
55122230	225mm / 9" CastSlot Treadsafe - 3m / 10'	Up to F900	Concrete / Asphalt / Paving	3000 / 118.11"	225 / 8.86"	501 / 19.72"	452 / 17.80"	200 / 7.87"	51 / 2.00"	2x10/2x0.4	175 / 27.13	61.1 / 134.7
55130230	300mm / 12" CastSlot Treadsafe - 3m / 10'	Up to F900	Concrete / Asphalt / Paving	3000 / 118.11"	300 / 11.81"	587 / 23.11"	538 / 21.18"	200 / 7.87"	51 / 2.00"	2x10/2x0.4	175 / 27.13	70.3 / 154.99
55135230	350mm / 14" CastSlot Treadsafe - 3m / 10'	Up to F900	Concrete / Asphalt / Paving	3000 / 118.11"	350 / 13.78"	645 / 25.39"	596 / 23.46"	200 / 7.87"	51 / 2.00"	2x10/2x0.4	175 / 27.13	76.6 / 168.87
55140230	400mm / 16" CastSlot Treadsafe - 3m / 10'	Up to F900	Concrete / Asphalt / Paving	3000 / 118.11"	400 / 15.75"	712 / 28.03"	652 / 25.67"	200 / 7.87"	51 / 2.00"	2x10/2x0.4	175 / 27.13	126.2 / 278.22
55150230	500mm / 20" CastSlot Treadsafe - 3m / 10'	Up to F900	Concrete / Asphalt / Paving	3000 / 118.11"	500 / 19.69"	828 / 32.60"	768 / 30.24"	200 / 7.87"	51 / 2.00"	2x10/2x0.4	175 / 27.13	146.9 / 323.86
55160230	600mm / 24" CastSlot Treadsafe - 3m / 10'	Up to F900	Concrete / Asphalt / Paving	3000 / 118.11"	600 / 23.62"	1091 / 42.95"	1031 / 40.59"	200 / 7.87"	51 / 2.00"	2x10/2x0.4	175 / 27.13	216.6 / 477.52



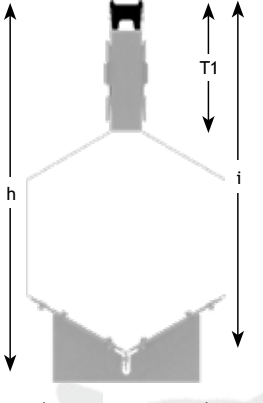
CastSlot Treadsafe 1m / 3.28' Channels

Code	Description	Load class	Surface coating	Length (mm / inches)	Width (w) (mm / inches)	Height (h) (mm / inches)	Invert (i) (mm / inches)	Throat depth (TI) (mm / inches)	Throat width (mm / inches)	Slot width (mm / inches)	Inlet cross section (cm <sup>2</sup> / inches <sup>2</sup> )	Weight (kg / lbs)
55110210	100mm / 4" CastSlot Treadsafe - 1m / 3.28'	Up to F900	Concrete / Asphalt / Paving	1000 / 39.37"	100 / 3.94"	357 / 14.06"	308 / 12.12"	200 / 7.87"	51 / 2.00"	2x10/2x0.4	175 / 27.13	15.6 / 34.39
55115210	150mm / 6" CastSlot Treadsafe - 1m / 3.28'	Up to F900	Concrete / Asphalt / Paving	1000 / 39.37"	150 / 5.91"	415 / 16.34"	366 / 14.41"	200 / 7.87"	51 / 2.00"	2x10/2x0.4	175 / 27.13	17.8 / 39.24
55122210	225mm / 9" CastSlot Treadsafe - 1m / 3.28'	Up to F900	Concrete / Asphalt / Paving	1000 / 39.37"	225 / 8.86"	501 / 19.72"	452 / 17.80"	200 / 7.87"	51 / 2.00"	2x10/2x0.4	175 / 27.13	21.8 / 48.06
55130210	300mm / 12" CastSlot Treadsafe - 1m / 3.28'	Up to F900	Concrete / Asphalt / Paving	1000 / 39.37"	300 / 11.81"	587 / 23.11"	538 / 21.18"	200 / 7.87"	51 / 2.00"	2x10/2x0.4	175 / 27.13	25 / 55.12
55135210	350mm / 14" CastSlot Treadsafe - 1m / 3.28'	Up to F900	Concrete / Asphalt / Paving	1000 / 39.37"	350 / 13.78"	645 / 25.39"	596 / 23.46"	200 / 7.87"	51 / 2.00"	2x10/2x0.4	175 / 27.13	27.1 / 59.75
55140210	400mm / 16" CastSlot Treadsafe - 1m / 3.28'	Up to F900	Concrete / Asphalt / Paving	1000 / 39.37"	400 / 15.75"	712 / 28.03"	652 / 25.67"	200 / 7.87"	51 / 2.00"	2x10/2x0.4	175 / 27.13	45.7 / 100.75
55150210	500mm / 20" CastSlot Treadsafe - 1m / 3.28'	Up to F900	Concrete / Asphalt / Paving	1000 / 39.37"	500 / 19.69"	828 / 32.60"	768 / 30.24"	200 / 7.87"	51 / 2.00"	2x10/2x0.4	175 / 27.13	52.7 / 116.18
55160210	600mm / 24" CastSlot Treadsafe - 1m / 3.28'	Up to F900	Concrete / Asphalt / Paving	1000 / 39.37"	600 / 23.62"	1091 / 42.95"	1031 / 40.59"	200 / 7.87"	51 / 2.00"	2x10/2x0.4	175 / 27.13	76 / 167.55



CastSlot Treadsafe 500mm / 1.64' Channels

Code	Description	Load class	Surface coating	Length (mm / inches)	Width (w) (mm / inches)	Height (h) (mm / inches)	Invert (i) (mm / inches)	Throat depth (TI) (mm / inches)	Throat width (mm / inches)	Slot width (mm / inches)	Inlet cross section (cm <sup>2</sup> / inches <sup>2</sup> )	Weight (kg / lbs)
55110205	100mm / 4" CastSlot Treadsafe - 500mm / 1.64'	Up to F900	Concrete / Asphalt / Paving	500 / 19.69"	100 / 3.94"	357 / 14.06"	308 / 12.12"	200 / 7.87"	51 / 2.00"	2x10/2x0.4	175 / 27.13	8.4 / 18.52
55115205	150mm / 6" CastSlot Treadsafe - 500mm / 1.64'	Up to F900	Concrete / Asphalt / Paving	500 / 19.69"	150 / 5.91"	415 / 16.34"	366 / 14.41"	200 / 7.87"	51 / 2.00"	2x10/2x0.4	175 / 27.13	9.5 / 20.94
55122205	225mm / 9" CastSlot Treadsafe - 500mm / 1.64'	Up to F900	Concrete / Asphalt / Paving	500 / 19.69"	225 / 8.86"	501 / 19.72"	452 / 17.80"	200 / 7.87"	51 / 2.00"	2x10/2x0.4	175 / 27.13	12.0 / 26.46
55130205	300mm / 12" CastSlot Treadsafe - 500mm / 1.64'	Up to F900	Concrete / Asphalt / Paving	500 / 19.69"	300 / 11.81"	587 / 23.11"	538 / 21.18"	200 / 7.87"	51 / 2.00"	2x10/2x0.4	175 / 27.13	13.7 / 30.2
55135205	350mm / 14" CastSlot Treadsafe - 500mm / 1.64'	Up to F900	Concrete / Asphalt / Paving	500 / 19.69"	350 / 13.78"	645 / 25.39"	596 / 23.46"	200 / 7.87"	51 / 2.00"	2x10/2x0.4	175 / 27.13	14.8 / 32.63
55140205	400mm / 16" CastSlot Treadsafe - 500mm / 1.64'	Up to F900	Concrete / Asphalt / Paving	500 / 19.69"	400 / 15.75"	712 / 28.03"	652 / 25.67"	200 / 7.87"	51 / 2.00"	2x10/2x0.4	175 / 27.13	25.5 / 56.22
55150205	500mm / 20" CastSlot Treadsafe - 500mm / 1.64'	Up to F900	Concrete / Asphalt / Paving	500 / 19.69"	500 / 19.69"	828 / 32.60"	768 / 30.24"	200 / 7.87"	51 / 2.00"	2x10/2x0.4	175 / 27.13	29.1 / 64.15
55160205	600mm / 24" CastSlot Treadsafe - 500mm / 1.64'	Up to F900	Concrete / Asphalt / Paving	500 / 19.69"	600 / 23.62"	1091 / 42.95"	1031 / 40.59"	200 / 7.87"	51 / 2.00"	2x10/2x0.4	175 / 27.13	40.9 / 90.17



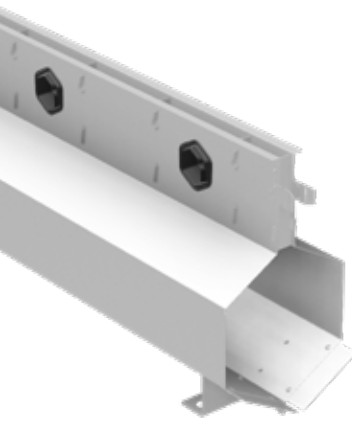
CastSlot Treadsafe Drop Connectors

Code	Description	From channel width (mm / inches)	To channel width (mm / inches)	Weight (kg / lbs)
55900220	100 - 150mm / 4" - 6" Drop Connector	100 / 4"	150 / 6"	0.4 / 0.88
55900221	150 - 225mm / 6" - 9" Drop Connector	150 / 6"	225 / 9"	0.7 / 1.54
55900222	225 - 300mm / 9" - 12" Drop Connector	225 / 9"	300 / 12"	0.9 / 1.98
55900223	300 - 350mm / 12" - 14" Drop Connector	300 / 12"	350 / 14"	1 / 2.2
55900224	350 - 400mm / 14" - 16" Drop Connector	350 / 14"	400 / 16"	1.7 / 3.75
55900225	400 - 500mm / 16" - 20" Drop Connector	400 / 16"	500 / 20"	2.7 / 5.95
55900226	500 - 600mm / 20" - 24" Drop Connector	500 / 20"	600 / 24"	5.9 / 13



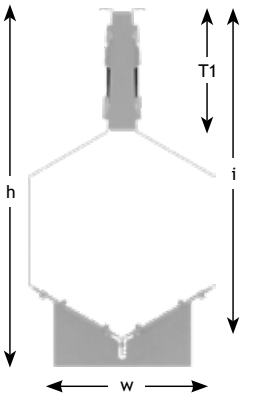


Gatic UltraSlot



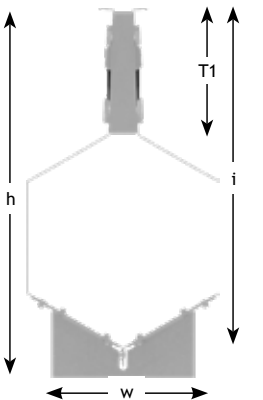
UltraSlot 3m / 10' Channels

Code	Description	Load class	Surface coating	Length (mm / inches)	Width (w) (mm / inches)	Height (h) (mm / inches)	Invert (i) (mm / inches)	Throat depth (T1) (mm / inches)	Throat width (mm / inches)	Slot width (mm / inches)	Inlet cross section (cm <sup>2</sup> / inches <sup>2</sup> )	Weight (kg / lbs)
55210230	100mm / 4" UltraSlot - 3m / 10'	Up to F900	Concrete	3000 / 118.11"	100 / 3.94"	357 / 14.06"	308 / 12.12"	200 / 7.87"	70 / 2.76"	30 / 1.18"	301 / 46.66	31.7 / 69.89
55215230	150mm / 6" UltraSlot - 3m / 10'	Up to F900	Concrete	3000 / 118.11"	150 / 5.91"	415 / 16.34"	366 / 14.41"	200 / 7.87"	70 / 2.76"	30 / 1.18"	301 / 46.66	37.9 / 83.56
55222230	225mm / 9" UltraSlot - 3m / 10'	Up to F900	Concrete	3000 / 118.11"	225 / 8.86"	501 / 19.72"	452 / 17.80"	200 / 7.87"	70 / 2.76"	30 / 1.18"	301 / 46.66	48.1 / 106.04
55230230	300mm / 12" UltraSlot - 3m / 10'	Up to F900	Concrete	3000 / 118.11"	300 / 11.81"	587 / 23.11"	538 / 21.18"	200 / 7.87"	70 / 2.76"	30 / 1.18"	301 / 46.66	57.3 / 126.32
55235230	350mm / 14" UltraSlot - 3m / 10'	Up to F900	Concrete	3000 / 118.11"	350 / 13.78"	645 / 25.39"	596 / 23.46"	200 / 7.87"	70 / 2.76"	30 / 1.18"	301 / 46.66	63.6 / 140.21
55240230	400mm / 16" UltraSlot - 3m / 10'	Up to F900	Concrete	3000 / 118.11"	400 / 15.75"	712 / 28.03"	652 / 25.67"	200 / 7.87"	70 / 2.76"	30 / 1.18"	301 / 46.66	114.4 / 252.21
55250230	500mm / 20" UltraSlot - 3m / 10'	Up to F900	Concrete	3000 / 118.11"	500 / 19.69"	828 / 32.60"	768 / 30.24"	200 / 7.87"	70 / 2.76"	30 / 1.18"	301 / 46.66	135.0 / 297.62
55260230	600mm / 24" UltraSlot - 3m / 10'	Up to F900	Concrete	3000 / 118.11"	600 / 23.62"	1091 / 42.95"	1031 / 40.59"	200 / 7.87"	70 / 2.76"	30 / 1.18"	301 / 46.66	205.4 / 452.83



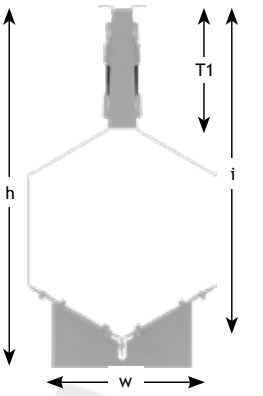
UltraSlot 1m / 3.28' Channels

Code	Description	Load class	Surface coating	Length (mm / inches)	Width (w) (mm / inches)	Height (h) (mm / inches)	Invert (i) (mm / inches)	Throat depth (T1) (mm / inches)	Throat width (mm / inches)	Slot width (mm / inches)	Inlet cross section (cm <sup>2</sup> / inches <sup>2</sup> )	Weight (kg / lbs)
55210210	100mm / 4" UltraSlot - 1m / 3.28'	Up to F900	Concrete	1000 / 39.37"	100 / 3.94"	357 / 14.06"	308 / 12.12"	200 / 7.87"	70 / 2.76"	30 / 1.18"	301 / 46.66	11.2 / 24.69
55215210	150mm / 6" UltraSlot - 1m / 3.28'	Up to F900	Concrete	1000 / 39.37"	150 / 5.91"	415 / 16.34"	366 / 14.41"	200 / 7.87"	70 / 2.76"	30 / 1.18"	301 / 46.66	13.3 / 29.32
55222210	225mm / 9" UltraSlot - 1m / 3.28'	Up to F900	Concrete	1000 / 39.37"	225 / 8.86"	501 / 19.72"	452 / 17.80"	200 / 7.87"	70 / 2.76"	30 / 1.18"	301 / 46.66	17.4 / 38.36
55230210	300mm / 12" UltraSlot - 1m / 3.28'	Up to F900	Concrete	1000 / 39.37"	300 / 11.81"	587 / 23.11"	538 / 21.18"	200 / 7.87"	70 / 2.76"	30 / 1.18"	301 / 46.66	20.6 / 45.42
55235210	350mm / 14" UltraSlot - 1m / 3.28'	Up to F900	Concrete	1000 / 39.37"	350 / 13.78"	645 / 25.39"	596 / 23.46"	200 / 7.87"	70 / 2.76"	30 / 1.18"	301 / 46.66	22.7 / 50.04
55240210	400mm / 16" UltraSlot - 1m / 3.28'	Up to F900	Concrete	1000 / 39.37"	400 / 15.75"	712 / 28.03"	652 / 25.67"	200 / 7.87"	70 / 2.76"	30 / 1.18"	301 / 46.66	41.6 / 91.71
55250210	500mm / 20" UltraSlot - 1m / 3.28'	Up to F900	Concrete	1000 / 39.37"	500 / 19.69"	828 / 32.60"	768 / 30.24"	200 / 7.87"	70 / 2.76"	30 / 1.18"	301 / 46.66	48.6 / 107.14
55260210	600mm / 24" UltraSlot - 1m / 3.28'	Up to F900	Concrete	1000 / 39.37"	600 / 23.62"	1091 / 42.95"	1031 / 40.59"	200 / 7.87"	70 / 2.76"	30 / 1.18"	301 / 46.66	72.2 / 159.17



UltraSlot 500mm / 1.64' Channels

Code	Description	Load class	Surface coating	Length (mm / inches)	Width (w) (mm / inches)	Height (h) (mm / inches)	Invert (i) (mm / inches)	Throat depth (T1) (mm / inches)	Throat width (mm / inches)	Slot width (mm / inches)	Inlet cross section (cm <sup>2</sup> / inches <sup>2</sup> )	Weight (kg / lbs)
55210205	100mm / 4" UltraSlot - 500mm / 1.64'	Up to F900	Concrete	500 / 19.69"	100 / 3.94"	357 / 14.06"	308 / 12.12"	200 / 7.87"	70 / 2.76"	30 / 1.18"	301 / 46.66	6 / 13.23
55215205	150mm / 6" UltraSlot - 500mm / 1.64'	Up to F900	Concrete	500 / 19.69"	150 / 5.91"	415 / 16.34"	366 / 14.41"	200 / 7.87"	70 / 2.76"	30 / 1.18"	301 / 46.66	7.1 / 15.65
55222205	225mm / 9" UltraSlot - 500mm / 1.64'	Up to F900	Concrete	500 / 19.69"	225 / 8.86"	501 / 19.72"	452 / 17.80"	200 / 7.87"	70 / 2.76"	30 / 1.18"	301 / 46.66	9.7 / 21.38
55230205	300mm / 12" UltraSlot - 500mm / 1.64'	Up to F900	Concrete	500 / 19.69"	300 / 11.81"	587 / 23.11"	538 / 21.18"	200 / 7.87"	70 / 2.76"	30 / 1.18"	301 / 46.66	11.3 / 24.91
55235205	350mm / 14" UltraSlot - 500mm / 1.64'	Up to F900	Concrete	500 / 19.69"	350 / 13.78"	645 / 25.39"	596 / 23.46"	200 / 7.87"	70 / 2.76"	30 / 1.18"	301 / 46.66	12.4 / 27.34
55240205	400mm / 16" UltraSlot - 500mm / 1.64'	Up to F900	Concrete	500 / 19.69"	400 / 15.75"	712 / 28.03"	652 / 25.67"	200 / 7.87"	70 / 2.76"	30 / 1.18"	301 / 46.66	23.4 / 51.59
55250205	500mm / 20" UltraSlot - 500mm / 1.64'	Up to F900	Concrete	500 / 19.69"	500 / 19.69"	828 / 32.60"	768 / 30.24"	200 / 7.87"	70 / 2.76"	30 / 1.18"	301 / 46.66	27 / 59.52
55260205	600mm / 24" UltraSlot - 500mm / 1.64'	Up to F900	Concrete	500 / 19.69"	600 / 23.62"	1091 / 42.95"	1031 / 40.59"	200 / 7.87"	70 / 2.76"	30 / 1.18"	301 / 46.66	38.8 / 85.54



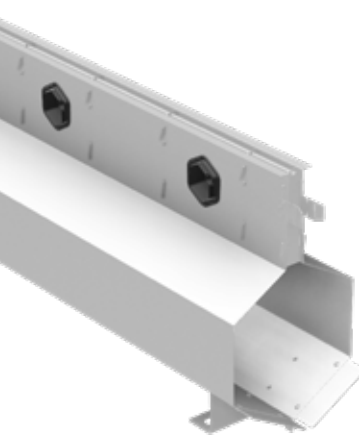
UltraSlot Drop Connectors

Code	Description	From channel width (mm / inches)	To channel width (mm / inches)	Weight (kg / lbs)
55900220	100 - 150mm / 4" - 6" Drop Connector	100 / 4"	150 / 6"	0.4 / 0.88
55900221	150 - 225mm / 6" - 9" Drop Connector	150 / 6"	225 / 9"	0.7 / 1.54
55900222	225 - 300mm / 9" - 12" Drop Connector	225 / 9"	300 / 12"	0.9 / 1.98
55900223	300 - 350mm / 12" - 14" Drop Connector	300 / 12"	350 / 14"	1 / 2.2
55900224	350 - 400mm / 14" - 16" Drop Connector	350 / 14"	400 / 16"	1.7 / 3.75
55900225	400 - 500mm / 16" - 20" Drop Connector	400 / 16"	500 / 20"	2.7 / 5.95
55900226	500 - 600mm / 20" - 24" Drop Connector	500 / 20"	600 / 24"	5.9 / 13



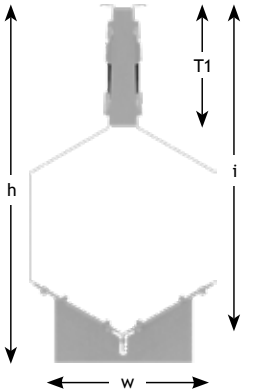


Gatic UltraSlot Treadsafe



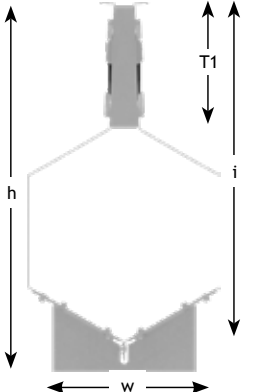
UltraSlot Treadsafe 3m / 10' Channels

Code	Description	Load class	Surface coating	Length (mm / inches)	Width (w) (mm / inches)	Height (h) (mm / inches)	Invert (i) (mm / inches)	Throat depth (T1) (mm / inches)	Throat width (mm / inches)	Slot width (mm / inches)	Inlet cross section (cm <sup>2</sup> / inches <sup>2</sup> )	Weight (kg / lbs)
55310230	100mm / 4" UltraSlot Treadsafe - 3m / 10'	Up to F900	Concrete	3000 / 118.11"	100 / 3.94"	357 / 14.06"	308 / 12.12"	200 / 7.87"	70 / 2.76"	2x9/2x0.35	181 / 28.06	34.5 / 76.06
55315230	150mm / 6" UltraSlot Treadsafe- 3m / 10'	Up to F900	Concrete	3000 / 118.11"	150 / 5.91"	415 / 16.34"	366 / 14.41"	200 / 7.87"	70 / 2.76"	2x9/2x0.35	181 / 28.06	40.7 / 89.73
55322230	225mm / 9" UltraSlot Treadsafe - 3m / 10'	Up to F900	Concrete	3000 / 118.11"	225 / 8.86"	501 / 19.72"	452 / 17.80"	200 / 7.87"	70 / 2.76"	2x9/2x0.35	181 / 28.06	50.8 / 111.99
55330230	300mm / 12" UltraSlot Treadsafe - 3m / 10'	Up to F900	Concrete	3000 / 118.11"	300 / 11.81"	587 / 23.11"	538 / 21.18"	200 / 7.87"	70 / 2.76"	2x9/2x0.35	181 / 28.06	60.1 / 132.50
55335230	350mm / 14" UltraSlot Treadsafe - 3m / 10'	Up to F900	Concrete	3000 / 118.11"	350 / 13.78"	645 / 25.39"	596 / 23.46"	200 / 7.87"	70 / 2.76"	2x9/2x0.35	181 / 28.06	66.3 / 146.17
55340230	400mm / 16" UltraSlot Treadsafe - 3m / 10'	Up to F900	Concrete	3000 / 118.11"	400 / 15.75"	712 / 28.03"	652 / 25.67"	200 / 7.87"	70 / 2.76"	2x9/2x0.35	181 / 28.06	117.1 / 258.16
55350230	500mm / 20" UltraSlot Treadsafe - 3m / 10'	Up to F900	Concrete	3000 / 118.11"	500 / 19.69"	828 / 32.60"	768 / 30.24"	200 / 7.87"	70 / 2.76"	2x9/2x0.35	181 / 28.06	137.8 / 303.80
55360230	600mm / 24" UltraSlot Treadsafe - 3m / 10'	Up to F900	Concrete	3000 / 118.11"	600 / 23.62"	1091 / 42.95"	1031 / 40.59"	200 / 7.87"	70 / 2.76"	2x9/2x0.35	181 / 28.06	208.2 / 459



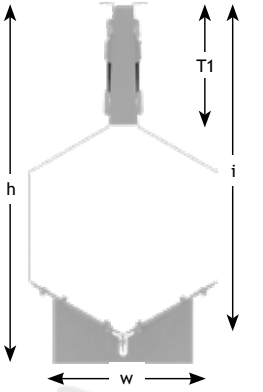
UltraSlot Treadsafe 1m / 3.28' Channels

Code	Description	Load class	Surface coating	Length (mm / inches)	Width (w) (mm / inches)	Height (h) (mm / inches)	Invert (i) (mm / inches)	Throat depth (T1) (mm / inches)	Throat width (mm / inches)	Slot width (mm / inches)	Inlet cross section (cm <sup>2</sup> / inches <sup>2</sup> )	Weight (kg / lbs)
55310210	100mm / 4" UltraSlot Treadsafe - 1m / 3.28'	Up to F900	Concrete	1000 / 39.37"	100 / 3.94"	357 / 14.06"	308 / 12.12"	200 / 7.87"	70 / 2.76"	2x9/2x0.35	181 / 28.06	12.1 / 26.68
55315210	150mm / 6" UltraSlot Treadsafe- 1m / 3.28'	Up to F900	Concrete	1000 / 39.37"	150 / 5.91"	415 / 16.34"	366 / 14.41"	200 / 7.87"	70 / 2.76"	2x9/2x0.35	181 / 28.06	14.2 / 31.31
55322210	225mm / 9" UltraSlot Treadsafe - 1m / 3.28'	Up to F900	Concrete	1000 / 39.37"	225 / 8.86"	501 / 19.72"	452 / 17.80"	200 / 7.87"	70 / 2.76"	2x9/2x0.35	181 / 28.06	18.3 / 40.34
55330210	300mm / 12" UltraSlot Treadsafe - 1m / 3.28'	Up to F900	Concrete	1000 / 39.37"	300 / 11.81"	587 / 23.11"	538 / 21.18"	200 / 7.87"	70 / 2.76"	2x9/2x0.35	181 / 28.06	21.5 / 47.40
55335210	350mm / 14" UltraSlot Treadsafe - 1m / 3.28'	Up to F900	Concrete	1000 / 39.37"	350 / 13.78"	645 / 25.39"	596 / 23.46"	200 / 7.87"	70 / 2.76"	2x9/2x0.35	181 / 28.06	23.6 / 52.03
55340210	400mm / 16" UltraSlot Treadsafe - 1m / 3.28'	Up to F900	Concrete	1000 / 39.37"	400 / 15.75"	712 / 28.03"	652 / 25.67"	200 / 7.87"	70 / 2.76"	2x9/2x0.35	181 / 28.06	42.6 / 93.92
55350210	500mm / 20" UltraSlot Treadsafe - 1m / 3.28'	Up to F900	Concrete	1000 / 39.37"	500 / 19.69"	828 / 32.60"	768 / 30.24"	200 / 7.87"	70 / 2.76"	2x9/2x0.35	181 / 28.06	49.6 / 109.35
55360210	600mm / 24" UltraSlot Treadsafe - 1m / 3.28'	Up to F900	Concrete	1000 / 39.37"	600 / 23.62"	1091 / 42.95"	1031 / 40.59"	200 / 7.87"	70 / 2.76"	2x9/2x0.35	181 / 28.06	73.1 / 161.16



UltraSlot Treadsafe 500mm / 1.64' Channels

Code	Description	Load class	Surface coating	Length (mm / inches)	Width (w) (mm / inches)	Height (h) (mm / inches)	Invert (i) (mm / inches)	Throat depth (T1) (mm / inches)	Throat width (mm / inches)	Slot width (mm / inches)	Inlet cross section (cm <sup>2</sup> / inches <sup>2</sup> )	Weight (kg / lbs)
55310205	100mm / 4" UltraSlot Treadsafe - 500mm / 1.64'	Up to F900	Concrete	500 / 19.69"	100 / 3.94"	357 / 14.06"	308 / 12.12"	200 / 7.87"	70 / 2.76"	2x9/2x0.35	181 / 28.06	6.4 / 14.11
55315205	150mm / 6" UltraSlot Treadsafe- 500mm / 1.64'	Up to F900	Concrete	500 / 19.69"	150 / 5.91"	415 / 16.34"	366 / 14.41"	200 / 7.87"	70 / 2.76"	2x9/2x0.35	181 / 28.06	7.6 / 16.76
55322205	225mm / 9" UltraSlot Treadsafe - 500mm / 1.64'	Up to F900	Concrete	500 / 19.69"	225 / 8.86"	501 / 19.72"	452 / 17.80"	200 / 7.87"	70 / 2.76"	2x9/2x0.35	181 / 28.06	10.1 / 22.27
55330205	300mm / 12" UltraSlot Treadsafe - 500mm / 1.64'	Up to F900	Concrete	500 / 19.69"	300 / 11.81"	587 / 23.11"	538 / 21.18"	200 / 7.87"	70 / 2.76"	2x9/2x0.35	181 / 28.06	11.8 / 26.01
55335205	350mm / 14" UltraSlot Treadsafe - 500mm / 1.64'	Up to F900	Concrete	500 / 19.69"	350 / 13.78"	645 / 25.39"	596 / 23.46"	200 / 7.87"	70 / 2.76"	2x9/2x0.35	181 / 28.06	12.9 / 28.44
55340205	400mm / 16" UltraSlot Treadsafe - 500mm / 1.64'	Up to F900	Concrete	500 / 19.69"	400 / 15.75"	712 / 28.03"	652 / 25.67"	200 / 7.87"	70 / 2.76"	2x9/2x0.35	181 / 28.06	23.8 / 52.47
55350205	500mm / 20" UltraSlot Treadsafe - 500mm / 1.64'	Up to F900	Concrete	500 / 19.69"	500 / 19.69"	828 / 32.60"	768 / 30.24"	200 / 7.87"	70 / 2.76"	2x9/2x0.35	181 / 28.06	27.4 / 60.41
55360205	600mm / 24" UltraSlot Treadsafe - 500mm / 1.64'	Up to F900	Concrete	500 / 19.69"	600 / 23.62"	1091 / 42.95"	1031 / 40.59"	200 / 7.87"	70 / 2.76"	2x9/2x0.35	181 / 28.06	39.3 / 86.64

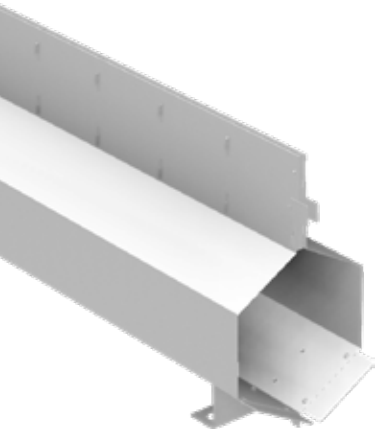


UltraSlot Treadsafe Drop Connectors

Code	Description	From channel width (mm / inches)	To channel width (mm / inches)	Weight (kg / lbs)
55900220	100 - 150mm / 4" - 6" Drop Connector	100 / 4"	150 / 6"	0.4 / 0.88
55900221	150 - 225mm / 6" - 9" Drop Connector	150 / 6"	225 / 9"	0.7 / 1.54
55900222	225 - 300mm / 9" - 12" Drop Connector	225 / 9"	300 / 12"	0.9 / 1.98
55900223	300 - 350mm / 12" - 14" Drop Connector	300 / 12"	350 / 14"	1 / 2.2
55900224	350 - 400mm / 14" - 16" Drop Connector	350 / 14"	400 / 16"	1.7 / 3.75
55900225	400 - 500mm / 16" - 20" Drop Connector	400 / 16"	500 / 20"	2.7 / 5.95
55900226	500 - 600mm / 20" - 24" Drop Connector	500 / 20"	600 / 24"	5.9 / 13

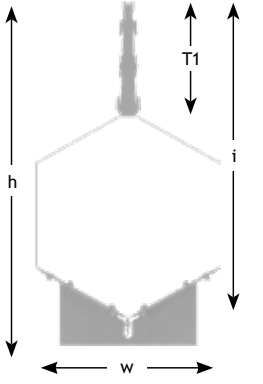


Gatic PaveSlot



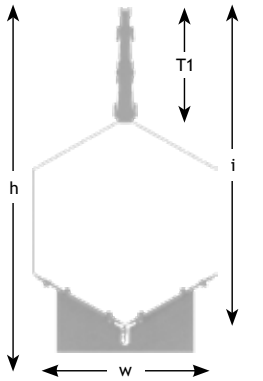
PaveSlot 3m / 10' Channels

Code	Description	Load class	Surface coating	Length (mm / inches)	Width (w) (mm / inches)	Height (h) (mm / inches)	Invert (i) (mm / inches)	Throat depth (T1) (mm / inches)	Throat width (mm / inches)	Slot width (mm / inches)	Inlet cross section (cm <sup>2</sup> / inches <sup>2</sup> )	Weight (kg / lbs)
55510230	100mm / 4" PaveSlot - 3m / 10'	C250	Paving	3000 / 118.11"	100 / 3.94"	357 / 14.06"	308 / 12.12"	200 / 7.87"	16 / 0.63"	10 / 0.39"	103 / 15.97	30.3 / 66.80
55515230	150mm / 6" PaveSlot - 3m / 10'	C250	Paving	3000 / 118.11"	150 / 5.91"	415 / 16.34"	366 / 14.41"	200 / 7.87"	16 / 0.63"	10 / 0.39"	103 / 15.97	36.5 / 80.47
55522230	225mm / 9" PaveSlot - 3m / 10'	C250	Paving	3000 / 118.11"	225 / 8.86"	501 / 19.72"	452 / 17.80"	200 / 7.87"	16 / 0.63"	10 / 0.39"	103 / 15.97	46.7 / 102.96
55530230	300mm / 12" PaveSlot - 3m / 10'	C250	Paving	3000 / 118.11"	300 / 11.81"	587 / 23.11"	538 / 21.18"	200 / 7.87"	16 / 0.63"	10 / 0.39"	103 / 15.97	55.9 / 123.24
55535230	350mm / 14" PaveSlot - 3m / 10'	C250	Paving	3000 / 118.11"	350 / 13.78"	645 / 25.39"	596 / 23.46"	200 / 7.87"	16 / 0.63"	10 / 0.39"	103 / 15.97	62.1 / 136.91
55540230	400mm / 16" PaveSlot - 3m / 10'	C250	Paving	3000 / 118.11"	400 / 15.75"	712 / 28.03"	652 / 25.67"	200 / 7.87"	16 / 0.63"	10 / 0.39"	103 / 15.97	111.9 / 246.70
55550230	500mm / 20" PaveSlot - 3m / 10'	C250	Paving	3000 / 118.11"	500 / 19.69"	828 / 32.60"	768 / 30.24"	200 / 7.87"	16 / 0.63"	10 / 0.39"	103 / 15.97	132.5 / 292.11
55560230	600mm / 24" PaveSlot - 3m / 10'	C250	Paving	3000 / 118.11"	600 / 23.62"	1091 / 42.95"	1031 / 40.59"	200 / 7.87"	16 / 0.63"	10 / 0.39"	103 / 15.97	202.8 / 447.10



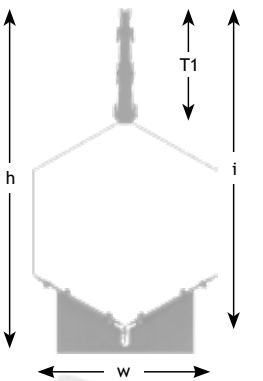
PaveSlot 1m / 3.28' Channels

Code	Description	Load class	Surface coating	Length (mm / inches)	Width (w) (mm / inches)	Height (h) (mm / inches)	Invert (i) (mm / inches)	Throat depth (T1) (mm / inches)	Throat width (mm / inches)	Slot width (mm / inches)	Inlet cross section (cm <sup>2</sup> / inches <sup>2</sup> )	Weight (kg / lbs)
55510210	100mm / 4" PaveSlot - 1m / 3.28'	C250	Paving	1000 / 39.37"	100 / 3.94"	357 / 14.06"	308 / 12.12"	200 / 7.87"	16 / 0.63"	10 / 0.39"	103 / 15.97	10.7 / 23.59
55515210	150mm / 6" PaveSlot - 1m / 3.28'	C250	Paving	1000 / 39.37"	150 / 5.91"	415 / 16.34"	366 / 14.41"	200 / 7.87"	16 / 0.63"	10 / 0.39"	103 / 15.97	12.8 / 28.22
55522210	225mm / 9" PaveSlot - 1m / 3.28'	C250	Paving	1000 / 39.37"	225 / 8.86"	501 / 19.72"	452 / 17.80"	200 / 7.87"	16 / 0.63"	10 / 0.39"	103 / 15.97	16.9 / 37.26
55530210	300mm / 12" PaveSlot - 1m / 3.28'	C250	Paving	1000 / 39.37"	300 / 11.81"	587 / 23.11"	538 / 21.18"	200 / 7.87"	16 / 0.63"	10 / 0.39"	103 / 15.97	20 / 44.09
55535210	350mm / 14" PaveSlot - 1m / 3.28'	C250	Paving	1000 / 39.37"	350 / 13.78"	645 / 25.39"	596 / 23.46"	200 / 7.87"	16 / 0.63"	10 / 0.39"	103 / 15.97	22.2 / 48.94
55540210	400mm / 16" PaveSlot - 1m / 3.28'	C250	Paving	1000 / 39.37"	400 / 15.75"	712 / 28.03"	652 / 25.67"	200 / 7.87"	16 / 0.63"	10 / 0.39"	103 / 15.97	40.8 / 89.95
55550210	500mm / 20" PaveSlot - 1m / 3.28'	C250	Paving	1000 / 39.37"	500 / 19.69"	828 / 32.60"	768 / 30.24"	200 / 7.87"	16 / 0.63"	10 / 0.39"	103 / 15.97	47.8 / 105.38
55560210	600mm / 24" PaveSlot - 1m / 3.28'	C250	Paving	1000 / 39.37"	600 / 23.62"	1091 / 42.95"	1031 / 40.59"	200 / 7.87"	16 / 0.63"	10 / 0.39"	103 / 15.97	71.3 / 157.19



PaveSlot 500mm / 1.64' Channels

Code	Description	Load class	Surface coating	Length (mm / inches)	Width (w) (mm / inches)	Height (h) (mm / inches)	Invert (i) (mm / inches)	Throat depth (T1) (mm / inches)	Throat width (mm / inches)	Slot width (mm / inches)	Inlet cross section (cm <sup>2</sup> / inches <sup>2</sup> )	Weight (kg / lbs)
55510205	100mm / 4" PaveSlot - 500mm / 1.64'	C250	Paving	500 / 19.69"	100 / 3.94"	357 / 14.06"	308 / 12.12"	200 / 7.87"	16 / 0.63"	10 / 0.39"	103 / 15.97	5.7 / 12.57
55515205	150mm / 6" PaveSlot - 500mm / 1.64'	C250	Paving	500 / 19.69"	150 / 5.91"	415 / 16.34"	366 / 14.41"	200 / 7.87"	16 / 0.63"	10 / 0.39"	103 / 15.97	6.8 / 14.99
55522205	225mm / 9" PaveSlot - 500mm / 1.64'	C250	Paving	500 / 19.69"	225 / 8.86"	501 / 19.72"	452 / 17.80"	200 / 7.87"	16 / 0.63"	10 / 0.39"	103 / 15.97	9.4 / 20.72
55530205	300mm / 12" PaveSlot - 500mm / 1.64'	C250	Paving	500 / 19.69"	300 / 11.81"	587 / 23.11"	538 / 21.18"	200 / 7.87"	16 / 0.63"	10 / 0.39"	103 / 15.97	11 / 24.25
55535205	350mm / 14" PaveSlot - 500mm / 1.64'	C250	Paving	500 / 19.69"	350 / 13.78"	645 / 25.39"	596 / 23.46"	200 / 7.87"	16 / 0.63"	10 / 0.39"	103 / 15.97	12.1 / 26.68
55540205	400mm / 16" PaveSlot - 500mm / 1.64'	C250	Paving	500 / 19.69"	400 / 15.75"	712 / 28.03"	652 / 25.67"	200 / 7.87"	16 / 0.63"	10 / 0.39"	103 / 15.97	22.9 / 50.49
55550205	500mm / 20" PaveSlot - 500mm / 1.64'	C250	Paving	500 / 19.69"	500 / 19.69"	828 / 32.60"	768 / 30.24"	200 / 7.87"	16 / 0.63"	10 / 0.39"	103 / 15.97	26.5 / 58.42
55560205	600mm / 24" PaveSlot - 500mm / 1.64'	C250	Paving	500 / 19.69"	600 / 23.62"	1091 / 42.95"	1031 / 40.59"	200 / 7.87"	16 / 0.63"	10 / 0.39"	103 / 15.97	38.3 / 84.44



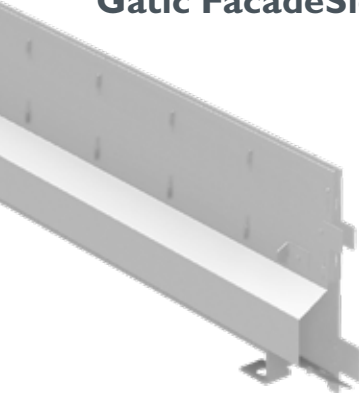
PaveSlot Drop Connectors

Code	Description	From channel width (mm / inches)	To channel width (mm / inches)	Weight (kg / lbs)
55900220	100 - 150mm / 4" - 6" Drop Connector	100 / 4"	150 / 6"	0.4 / 0.88
55900221	150 - 225mm / 6" - 9" Drop Connector	150 / 6"	225 / 9"	0.7 / 1.54
55900222	225 - 300mm / 9" - 12" Drop Connector	225 / 9"	300 / 12"	0.9 / 1.98
55900223	300 - 350mm / 12" - 14" Drop Connector	300 / 12"	350 / 14"	1 / 2.2
55900224	350 - 400mm / 14" - 16" Drop Connector	350 / 14"	400 / 16"	1.7 / 3.75
55900225	400 - 500mm / 16" - 20" Drop Connector	400 / 16"	500 / 20"	2.7 / 5.95
55900226	500 - 600mm / 20" - 24" Drop Connector	500 / 20"	600 / 24"	5.9 / 13



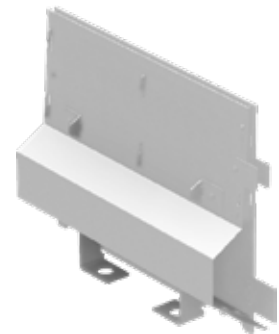
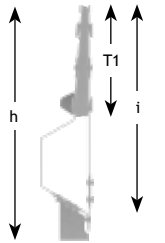


## Gatic FacadeSlot



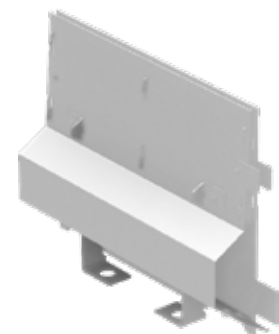
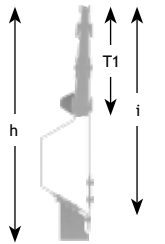
### FacadeSlot 3m / 10' Channels

Code	Description	Load class	Surface coating	Length (mm / inches)	Width (w) (mm / inches)	Height (h) (mm / inches)	Invert (i) (mm / inches)	Throat depth (T1) (mm / inches)	Throat width (mm / inches)	Slot width (mm / inches)	Inlet cross section (cm <sup>2</sup> / inches <sup>2</sup> )	Weight (kg / lbs)
55605230	50mm / 2" FacadeSlot - 3m / 10'	A15	Paving	3000 / 118.11"	50 / 1.97"	357 / 14.06"	308 / 12.12"	200 / 7.87"	16 / 0.63"	10 / 0.39"	105 / 16.28	28.2 / 62.17
55607230	75mm / 3" FacadeSlot - 3m / 10'	A15	Paving	3000 / 118.11"	75 / 2.95"	415 / 16.34"	366 / 14.41"	200 / 7.87"	16 / 0.63"	10 / 0.39"	105 / 16.28	33.4 / 73.63
55611230	115mm / 4" FacadeSlot - 3m / 10'	A15	Paving	3000 / 118.11"	115 / 4.53"	501 / 19.72"	452 / 17.80"	200 / 7.87"	16 / 0.63"	10 / 0.39"	105 / 16.28	41.5 / 91.49



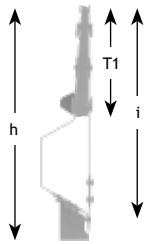
### FacadeSlot 1m / 3.28' Channels

Code	Description	Load class	Surface coating	Length (mm / inches)	Width (w) (mm / inches)	Height (h) (mm / inches)	Invert (i) (mm / inches)	Throat depth (T1) (mm / inches)	Throat width (mm / inches)	Slot width (mm / inches)	Inlet cross section (cm <sup>2</sup> / inches <sup>2</sup> )	Weight (kg / lbs)
55605210	50mm / 2" FacadeSlot - 1m / 3.28'	A15	Paving	1000 / 39.37"	50 / 1.97"	357 / 14.06"	308 / 12.12"	200 / 7.87"	16 / 0.63"	10 / 0.39"	105 / 16.28	9.8 / 21.61
55607210	75mm / 3" FacadeSlot - 1m / 3.28'	A15	Paving	1000 / 39.37"	75 / 2.95"	415 / 16.34"	366 / 14.41"	200 / 7.87"	16 / 0.63"	10 / 0.39"	105 / 16.28	11.6 / 25.57
55611210	115mm / 4" FacadeSlot - 1m / 3.28'	A15	Paving	1000 / 39.37"	115 / 4.53"	501 / 19.72"	452 / 17.80"	200 / 7.87"	16 / 0.63"	10 / 0.39"	105 / 16.28	14.6 / 32.19



### FacadeSlot 500mm / 1.64' Channels

Code	Description	Load class	Surface coating	Length (mm / inches)	Width (w) (mm / inches)	Height (h) (mm / inches)	Invert (i) (mm / inches)	Throat depth (T1) (mm / inches)	Throat width (mm / inches)	Slot width (mm / inches)	Inlet cross section (cm <sup>2</sup> / inches <sup>2</sup> )	Weight (kg / lbs)
55605205	50mm / 2" FacadeSlot - 500mm / 1.64'	A15	Paving	500 / 19.69"	50 / 1.97"	357 / 14.06"	308 / 12.12"	200 / 7.87"	16 / 0.63"	10 / 0.39"	105 / 16.28	5.1 / 11.24
55607205	75mm / 3" FacadeSlot - 500mm / 1.64'	A15	Paving	500 / 19.69"	75 / 2.95"	415 / 16.34"	366 / 14.41"	200 / 7.87"	16 / 0.63"	10 / 0.39"	105 / 16.28	6.1 / 13.45
55611205	115mm / 4" FacadeSlot - 500mm / 1.64'	A15	Paving	500 / 19.69"	115 / 4.53"	501 / 19.72"	452 / 17.80"	200 / 7.87"	16 / 0.63"	10 / 0.39"	105 / 16.28	7.8 / 17.20



### FacadeSlot System End Caps

Code	Description	To suit channel width (mm / inches)	Weight (kg / lbs)
55905230	FacadeSlot end cap 50mm / 2"	50 / 2"	0.1 / 0.22
55907230	FacadeSlot end cap 75mm / 3"	75 / 3"	0.2 / 0.44
55911230	FacadeSlot end cap 115mm / 4"	115 / 4"	0.4 / 0.88

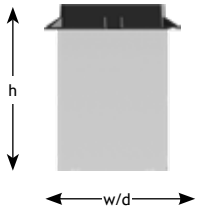


Boxes

Access Box C/W Treadsafe Double Triangular Grating (CastSlot/UltraSlot)



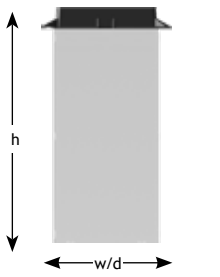
Code	Description	To suit channels (mm / inches)	Load class	Surface coating	Height (h) (mm / inches)	Width (w) (mm / inches)	Depth (d) (mm / inches)	Inlet cross section (cm <sup>2</sup> / inches <sup>2</sup> )	Pipe outlet sizes (mm / inches)	Box weight (kg / lbs)	Cover/Grate weight (kg / lbs)	Total weight (kg / lbs)
55922201	Access Box c/w Double Triangular Grating	Up to 225 / 9"	Up to D400	Asphalt / Paving	475 / 18.70"	308 / 12.13"	308 / 12.13"	90 / 13.95	N/A	6.7 / 14.77	38.4 / 84.66	45.1 / 99.43
55940201	Access Box c/w Double Triangular Grating	From 225 to 400 / 9" to 16"	Up to D400	Asphalt / Paving	675 / 26.57"	485 / 19.09"	485 / 19.09"	335 / 51.93	N/A	26.7 / 58.86	67.6 / 149.03	94.3 / 207.90
55960201	Access Box c/w Double Triangular Grating	From 400 to 600 / 16" to 24"	Up to D400	Asphalt / Paving	1055 / 41.54"	686 / 27.01"	686 / 27.01"	828 / 128.34	N/A	73.1 / 161.16	122.9 / 270.95	196 / 432.11
55922202	Access Box c/w Double Triangular Grating	Up to 225 / 9"	Up to F900	Concrete	475 / 18.70"	308 / 12.13"	308 / 12.13"	90 / 13.95	N/A	6.7 / 14.77	40.1 / 88.41	46.8 / 103.18
55940202	Access Box c/w Double Triangular Grating	From 225 to 400 / 9" to 16"	Up to F900	Concrete	675 / 26.57"	485 / 19.09"	485 / 19.09"	335 / 51.93	N/A	26.7 / 58.86	76.7 / 169.09	103.4 / 227.96
55960202	Access Box c/w Double Triangular Grating	From 400 to 600 / 16" to 24"	Up to F900	Concrete	1055 / 41.54"	686 / 27.01"	686 / 27.01"	828 / 128.34	N/A	73.1 / 161.16	146.2 / 322.32	219.3 / 483.47



Outlet Box C/W Treadsafe Double Triangular Grating (CastSlot/UltraSlot)



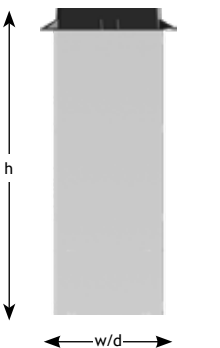
Code	Description	To suit channels (mm / inches)	Load class	Surface coating	Height (h) (mm / inches)	Width (w) (mm / inches)	Depth (d) (mm / inches)	Inlet cross section (cm <sup>2</sup> / inches <sup>2</sup> )	Pipe outlet sizes (mm / inches)	Box weight (kg / lbs)	Cover/Grate weight (kg / lbs)	Total weight (kg / lbs)
55922203	Outlet Box c/w Double Triangular Grating	Up to 225 / 9"	Up to D400	Asphalt / Paving	740 / 29.13"	308 / 12.13"	308 / 12.13"	90 / 13.95	115 - 165 - 205 - 255 / 4" - 6" - 8" - 10"	10.6 / 23.37	38.4 / 84.66	49.0 / 108.03
55940203	Outlet Box c/w Double Triangular Grating	From 225 to 400 / 9" to 16"	Up to D400	Asphalt / Paving	1125 / 44.29"	485 / 19.09"	485 / 19.09"	335 / 51.93	205 - 255 - 320 - 360 - 440 / 8" - 10" - 12" - 14" - 16"	44 / 97	67.6 / 149.03	111.6 / 246.04
55960203	Outlet Box c/w Double Triangular Grating	From 400 to 600 / 16" to 24"	Up to D400	Asphalt / Paving	1495 / 58.86"	686 / 27.01"	686 / 27.01"	828 / 128.34	320 - 360 - 440 / 12" - 14" - 16"	101.7 / 224.21	122.9 / 270.95	224.6 / 495.16
55922204	Outlet Box c/w Double Triangular Grating	Up to 225 / 9"	Up to F900	Concrete	740 / 29.13"	308 / 12.13"	308 / 12.13"	90 / 13.95	115 - 165 - 205 - 255 / 4" - 6" - 8" - 10"	10.6 / 23.37	40.1 / 88.41	50.7 / 111.77
55940204	Outlet Box c/w Double Triangular Grating	From 225 to 400 / 9" to 16"	Up to F900	Concrete	1125 / 44.29"	485 / 19.09"	485 / 19.09"	335 / 51.93	205 - 255 - 320 - 360 - 440 / 8" - 10" - 12" - 14" - 16"	44 / 97	76.7 / 169.09	120.7 / 266.10
55960204	Outlet Box c/w Double Triangular Grating	From 400 to 600 / 16" to 24"	Up to F900	Concrete	1495 / 58.86"	686 / 27.01"	686 / 27.01"	828 / 128.34	320 - 360 - 440 / 12" - 14" - 16"	101.7 / 224.21	146.2 / 322.32	247.9 / 546.53



Silt Box C/W Treadsafe Double Triangular Grating (CastSlot/UltraSlot)



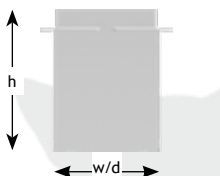
Code	Description	To suit channels (mm / inches)	Load class	Surface coating	Height (h) (mm / inches)	Width (w) (mm / inches)	Depth (d) (mm / inches)	Inlet cross section (cm <sup>2</sup> / inches <sup>2</sup> )	Pipe outlet sizes (mm / inches)	Box weight (kg / lbs)	Cover/Grate weight (kg / lbs)	Total weight (kg / lbs)
55922205	Silt Box c/w Double Triangular Grating	Up to 225 / 9"	Up to D400	Asphalt / Paving	930 / 36.61"	308 / 12.13"	308 / 12.13"	90 / 13.95	115 - 165 - 205 - 255 / 4" - 6" - 8" - 10"	14.1 / 31.09	38.4 / 84.66	52.5 / 115.74
55940205	Silt Box c/w Double Triangular Grating	From 225 to 400 / 9" to 16"	Up to D400	Asphalt / Paving	1415 / 55.71"	485 / 19.09"	485 / 19.09"	335 / 51.93	205 - 255 - 320 - 360 - 440 / 8" - 10" - 12" - 14" - 16"	57.1 / 125.88	67.6 / 149.03	124.7 / 274.92
55960205	Silt Box c/w Double Triangular Grating	From 400 to 600 / 16" to 24"	Up to D400	Asphalt / Paving	1935 / 76.18"	686 / 27.01"	686 / 27.01"	828 / 128.34	320 - 360 - 440 / 12" - 14" - 16"	133.8 / 294.98	122.9 / 270.95	256.7 / 565.93
55922206	Silt Box c/w Double Triangular Grating	Up to 225 / 9"	Up to F900	Concrete	930 / 36.61"	308 / 12.13"	308 / 12.13"	90 / 13.95	115 - 165 - 205 - 255 / 4" - 6" - 8" - 10"	14.1 / 31.09	40.1 / 88.41	54.2 / 119.49
55940206	Silt Box c/w Double Triangular Grating	From 225 to 400 / 9" to 16"	Up to F900	Concrete	1415 / 55.71"	485 / 19.09"	485 / 19.09"	335 / 51.93	205 - 255 - 320 - 360 - 440 / 8" - 10" - 12" - 14" - 16"	57.1 / 125.88	76.7 / 169.09	133.8 / 294.98
55960206	Silt Box c/w Double Triangular Grating	From 400 to 600 / 16" to 24"	Up to F900	Concrete	1935 / 76.18"	686 / 27.01"	686 / 27.01"	828 / 128.34	320 - 360 - 440 / 12" - 14" - 16"	133.8 / 294.98	146.2 / 322.32	280 / 617.29



Access Box C/W Galvanised Recessed Cover (PaveSlot)



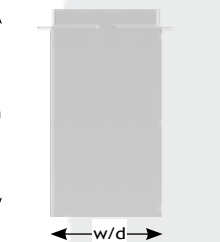
Code	Description	To suit channels (mm / inches)	Load class	Surface coating	Height (h) (mm / inches)	Width (w) (mm / inches)	Depth (d) (mm / inches)	Inlet cross section (cm <sup>2</sup> / inches <sup>2</sup> )	Pipe outlet sizes (mm / inches)	Box weight (kg / lbs)	Cover/Grate weight (kg / lbs)	Total weight (kg / lbs)
55922207	Access Box c/w Galvanised Recessed Cover	Up to 225 / 9"	Up to C250	Paving	475 / 18.70"	308 / 12.13"	308 / 12.13"	27 / 4.19	N/A	6.7 / 14.77	28.7 / 63.27	35.4 / 78.04
55940207	Access Box c/w Galvanised Recessed Cover	From 225 to 400 / 9" to 16"	Up to C250	Paving	675 / 26.57"	485 / 19.09"	485 / 19.09"	45 / 6.98	N/A	26.7 / 58.86	50.5 / 111.33	77.2 / 170.20
55960207	Access Box c/w Galvanised Recessed Cover	From 400 to 600 / 16" to 24"	Up to C250	Paving	1055 / 41.54"	686 / 27.01"	686 / 27.01"	65 / 10.08	N/A	73.1 / 161.16	78 / 171.96	151.1 / 333.12



Outlet Box C/W Galvanised Recessed Cover (PaveSlot)



Code	Description	To suit channels (mm / inches)	Load class	Surface coating	Height (h) (mm / inches)	Width (w) (mm / inches)	Depth (d) (mm / inches)	Inlet cross section (cm <sup>2</sup> / inches <sup>2</sup> )	Pipe outlet sizes (mm / inches)	Box weight (kg / lbs)	Cover/Grate weight (kg / lbs)	Total weight (kg / lbs)
55922208	Outlet Box c/w Galvanised Recessed Cover	Up to 225 / 9"	Up to C250	Paving	740 / 29.13"	308 / 12.13"	308 / 12.13"	27 / 4.19	115 - 165 - 205 - 255 / 4" - 6" - 8" - 10"	10.6 / 23.37	28.7 / 63.27	39.3 / 86.64
55940208	Outlet Box c/w Galvanised Recessed Cover	From 225 to 400 / 9" to 16"	Up to C250	Paving	1125 / 44.29"	485 / 19.09"	485 / 19.09"	45 / 6.98	205 - 255 - 320 - 360 - 440 / 8" - 10" - 12" - 14" - 16"	44 / 97	50.5 / 111.33	94.5 / 208.34
55960208	Outlet Box c/w Galvanised Recessed Cover	From 400 to 600 / 16" to 24"	Up to C250	Paving	1495 / 58.86"	686 / 27.01"	686 / 27.01"	65 / 10.08	320 - 360 - 440 / 12" - 14" - 16"	101.7 / 224.21	78 / 171.96	179.7 / 396.17



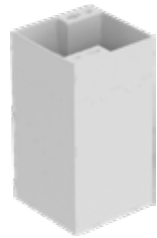
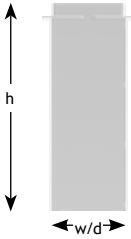


## Boxes



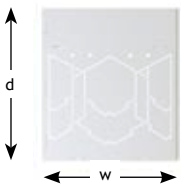
Silt Box C/W Galvanised Recessed Cover (PaveSlot)

Code	Description	To suit channels (mm / inches)	Load class	Surface coating	Height (h) (mm / inches)	Width (w) (mm / inches)	Depth (d) (mm / inches)	Inlet cross section (cm <sup>2</sup> / inches <sup>2</sup> )	Pipe outlet sizes (mm / inches)	Box weight (kg / lbs)	Cover/Grate weight (kg / lbs)	Total weight (kg / lbs)
55922209	Silt Box c/w Galvanised Recessed Cover	Up to 225 / 9"	Up to C250	Paving	930 / 36.61"	308 / 12.13"	308 / 12.13"	27 / 4.19	115 - 165 - 205 - 255 / 4" - 6" - 8" - 10"	14.1 / 31.09	28.7 / 63.27	45.4 / 100.09
55940209	Silt Box c/w Galvanised Recessed Cover	From 225 to 400 / 9" to 16"	Up to C250	Paving	1415 / 55.71"	485 / 19.09"	485 / 19.09"	45 / 6.98	205 - 255 - 320 - 360 - 440 / 8" - 10" - 12" - 14" - 16"	57.1 / 125.88	50.5 / 111.33	119.4 / 263.23
55960209	Silt Box c/w Galvanised Recessed Cover	From 400 to 600 / 16" to 24"	Up to C250	Paving	1935 / 76.18"	686 / 27.01"	686 / 27.01"	65 / 10.08	320 - 360 - 440 / 12" - 14" - 16"	133.8 / 294.98	78 / 171.96	242.8 / 535.28



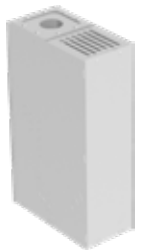
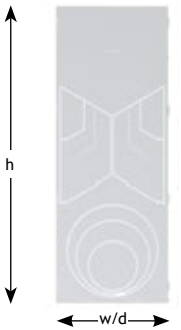
Facade AccessBox C/W Galvanised Recessed Cover (FacadeSlot)

Code	Description	To suit channels (mm / inches)	Load class	Surface coating	Height (h) (mm / inches)	Width (w) (mm / inches)	Depth (d) (mm / inches)	Inlet cross section (cm <sup>2</sup> / inches <sup>2</sup> )	Pipe outlet sizes (mm / inches)	Box weight (kg / lbs)	Cover/Grate weight (kg / lbs)	Total weight (kg / lbs)
55911207	Facade Access Box c/w Galvanised Recessed Cover	50 - 75 - 115 / 2" - 3" - 4"	Up to A15	Paving	475 / 18.70"	253 / 9.96"	253 / 9.96"	N/A	N/A	7.1 / 15.65	2.5 / 5.51	9.8 / 21.61



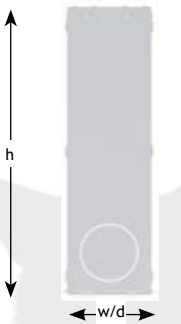
Facade Outlet Box C/W Galvanised Recessed Cover (FacadeSlot)

Code	Description	To suit channels (mm / inches)	Load class	Surface coating	Height (h) (mm / inches)	Width (w) (mm / inches)	Depth (d) (mm / inches)	Inlet cross section (cm <sup>2</sup> / inches <sup>2</sup> )	Pipe outlet sizes (mm / inches)	Box weight (kg / lbs)	Cover/Grate weight (kg / lbs)	Total weight (kg / lbs)
55911208	Facade Outlet Box c/w Galvanised Recessed Cover	50 - 75 - 115 / 2" - 3" - 4"	Up to A15	Paving	675 / 26.57"	253 / 9.96"	253 / 9.96"	N/A	115 - 165 - 205 / 4" - 6" - 8"	9.5 / 20.94	2.5 / 5.51	12.2 / 26.90



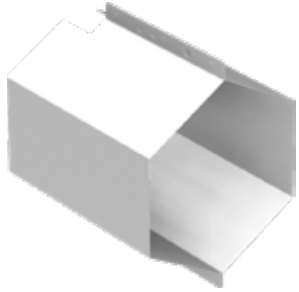
Facade Combined Access/Outlet VBox (FacadeSlot)

Code	Description	To suit channels (mm / inches)	Load class	Surface coating	Height (h) (mm / inches)	Width (w) (mm / inches)	Depth (d) (mm / inches)	Inlet cross section (cm <sup>2</sup> / inches <sup>2</sup> )	Pipe outlet sizes (mm / inches)	Box weight (kg / lbs)	Cover/Grate weight (kg / lbs)	Total weight (kg / lbs)
55911209	Facade Combined Access / Outlet Box	50 - 75 - 115 / 2" - 3" - 4"	Up to A15	Paving	575 / 22.64"	168 / 6.61"	333 / 13.11"	75 / 11.63	115 - 165 - 205 / 4" - 6" - 8"	N/A	N/A	9.9 / 21.83

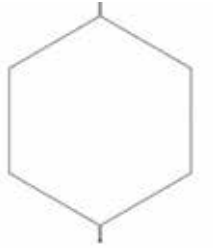


Catchpit Connectors, Pipes, End Caps & Outlets

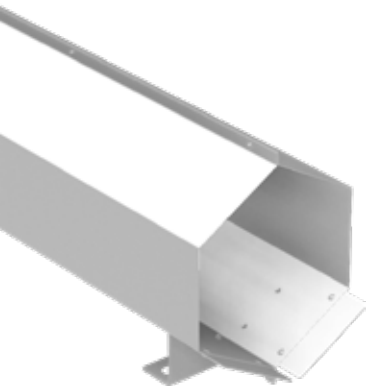
CastSlot / CastSlot Treadsafe / UltraSlot / UltraSlot Treadsafe / PaveSlot  
Catchpit Connector



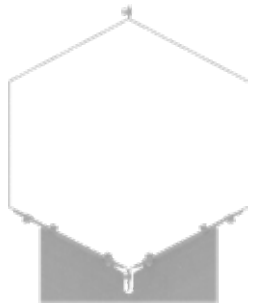
Code	Description	Load class	Surface coating	To suit channel (mm / inches)	Length (mm / inches)	Effective length (mm / inches)	Weight (kg / lbs)
55910240	100mm / 4" Catchpit Connector	C250	Paving	100 / 4"	375 / 14.76"	300 / 11.81"	1.9 / 4.19
55915240	150mm / 6" Catchpit Connector	C250	Paving	150 / 6"	375 / 14.76"	300 / 11.81"	2.6 / 5.73
55922240	225mm / 9" Catchpit Connector	C250	Paving	225 / 9"	375 / 14.76"	300 / 11.81"	3.9 / 8.60
55930240	300mm / 12" Catchpit Connector	C250	Paving	300 / 12"	375 / 14.76"	300 / 11.81"	5.0 / 11.02
55935240	350mm / 14" Catchpit Connector	C250	Paving	350 / 14"	375 / 14.76"	300 / 11.81"	5.8 / 12.79
55940240	400mm / 16" Catchpit Connector	C250	Paving	400 / 16"	375 / 14.76"	300 / 11.81"	10.9 / 24.03
55950240	500mm / 20" Catchpit Connector	C250	Paving	500 / 20"	375 / 14.76"	300 / 11.81"	13.5 / 29.76
55960240	600mm / 24" Catchpit Connector	C250	Paving	600 / 24"	375 / 14.76"	300 / 11.81"	21.9 / 48.28



CastSlot / CastSlot Treadsafe / UltraSlot / UltraSlot Treadsafe / PaveSlot  
Channel Pipes



Code	Description	To suit channel (mm / inches)	Length (mm / inches)	Weight (kg / lbs)
55910250	100mm / 4" Channel Pipe – 3m / 10'	100 / 4"	3000 / 118.11"	17.1 / 37.70
55915250	150mm / 6" Channel Pipe – 3m / 10'	150 / 6"	3000 / 118.11"	23.3 / 51.37
55922250	225mm / 9" Channel Pipe – 3m / 10'	225 / 9"	3000 / 118.11"	33.5 / 73.85
55930250	300mm / 12" Channel Pipe – 3m / 10'	300 / 12"	3000 / 118.11"	42.7 / 94.14
55935250	350mm / 14" Channel Pipe – 3m / 10'	350 / 14"	3000 / 118.11"	49 / 108.03
55940250	400mm / 16" Channel Pipe – 3m / 10'	400 / 16"	3000 / 118.11"	91.4 / 201.5
55950250	500mm / 20" Channel Pipe – 3m / 10'	500 / 20"	3000 / 118.11"	112 / 246.92
55960250	600mm / 24" Channel Pipe – 3m / 10'	600 / 24"	3000 / 118.11"	178.6 / 393.75



CastSlot / CastSlot Treadsafe / UltraSlot / UltraSlot Treadsafe  
PaveSlot / Facade Slot - End Caps / End Cap Outlets



Code	Description	To suit channel (mm / inches)	Pipe outlet sizes (mm)	Weight (kg)
55910230	100mm / 4" End Cap / Outlet	100 / 4"	92 / 3"	0.2 / 0.44
55915230	150mm / 6" End Cap / Outlet	150 / 6"	115 / 4"	0.4 / 0.88
55922230	225mm / 9" End Cap / Outlet	225 / 9"	115 - 165 - 205 / 4" - 6" - 8"	0.7 / 1.54
55930230	300mm / 12" End Cap / Outlet	300 / 12"	115 - 165 - 205 -255 / 4" - 6" - 8" - 10"	1.2 / 2.65
55935230	350mm / 14" End Cap / Outlet	350 / 14"	115 - 165 - 205 -255 - 320 / 4" - 6" - 8" - 10" - 12"	1.6 / 3.52
55940230	400mm / 16" End Cap / Outlet	400 / 16"	115 - 165 - 205 -255 - 320 - 360 / 4" - 6" - 8" - 10" - 12" - 14"	3.3 / 7.28
55950230	500mm / 20" End Cap	500 / 20"	N/A	4.9 / 10.8
55960230	600mm / 24" End Cap	600 / 24"	N/A	10.6 / 23.37
55905230	FacadeSlot End Cap 50mm / 2"	50 / 2"	N/A	0.1 / 0.22
55907230	FacadeSlot End Cap 75mm / 3"	75 / 3"	N/A	0.2 / 0.44
55911230	FacadeSlot End Cap 115mm / 4"	115 / 4"	N/A	0.4 / 0.88

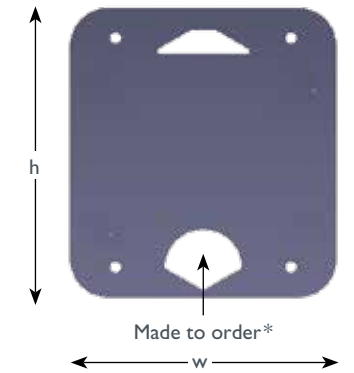




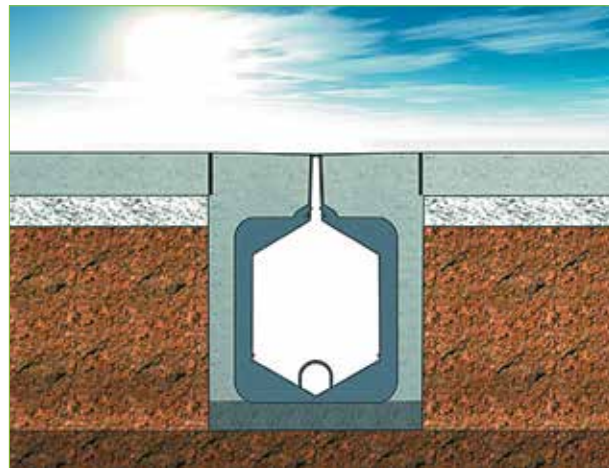


Available for all Slotdrain  
(for use with Chambers formed on site)

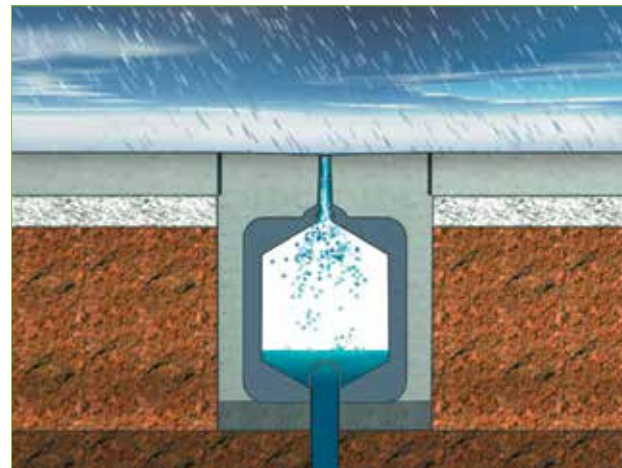
Code	Description	To suit channel (mm / inches)	Width (w) (mm / inches)	Height (h) (mm / inches)	Weight (kg / lbs)
55922260	225mm / 9" Flow Regulator	225 / 9"	295 / 11.61"	275 / 10.83"	1.9 / 4.19
55930260	300mm / 12" Flow Regulator	300 / 12"	380 / 14.96"	350 / 13.78"	3.1 / 6.83
55935260	350mm / 14" Flow Regulator	350 / 14"	440 / 17.32"	400 / 15.75"	4.1 / 9.04
55940260	400mm / 16" Flow Regulator	400 / 16"	495 / 19.49"	450 / 17.72"	5.4 / 11.91
55950260	500mm / 20" Flow Regulator	500 / 20"	610 / 24.02"	550 / 21.65"	8.1 / 17.86
55960260	600mm / 24" Flow Regulator	600 / 24"	875 / 34.45"	650 / 25.59"	13.7 / 30.2



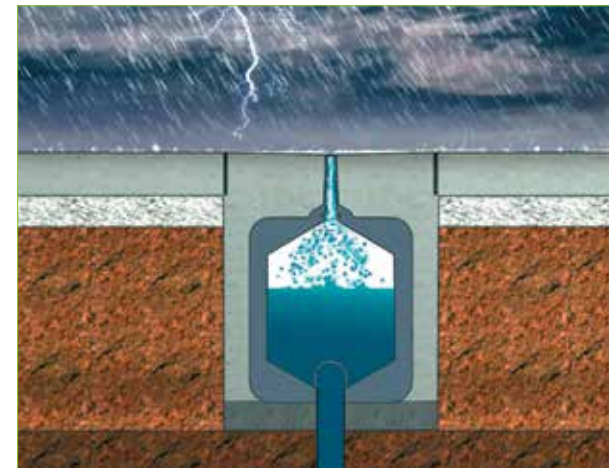
\*Outlet size made to order on all Flow Regulators



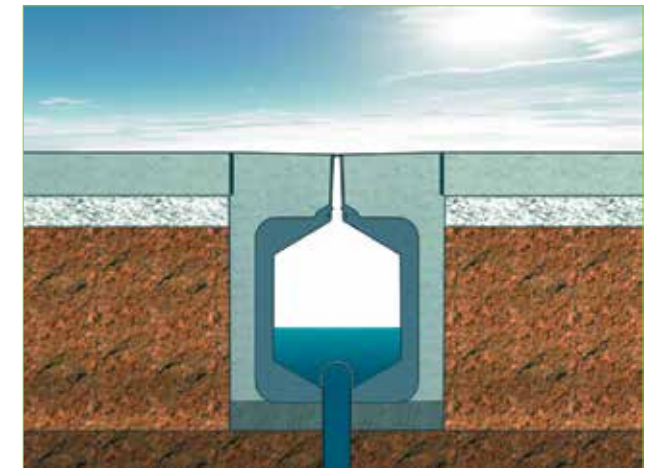
Dry weather conditions.



Rainfall starts, the Slotdrain begins to fill with water and discharges via the flow regulator.



Water level in the Slotdrain system rises with storm intensity. Outflow reaches designed regulated flow rate without flooding surrounding area.



Storm ceases, controlled outflow continues and water level in the Slotdrain system falls.



GRASPOINTNER  
Sustainable innovation.

BG-Graspointner Inc.  
642 de Courcelle, suite 206  
Montréal (QC), H4C 3C5  
Canada

Phone: +1 514 932 5445

E-Mail: [sales.ca@bg-graspointner.com](mailto:sales.ca@bg-graspointner.com)

Web: [www.bg-graspointner.com](http://www.bg-graspointner.com)

BG-Graspointner USA Inc.  
134 Boynton Ave  
Plattsburgh, NY 12901  
USA

Phone: +1 518 299 1500

E-Mail: [sales.usa@bg-graspointner.com](mailto:sales.usa@bg-graspointner.com)

Web: [www.bg-graspointner.com](http://www.bg-graspointner.com)



Output | BG 17052023

