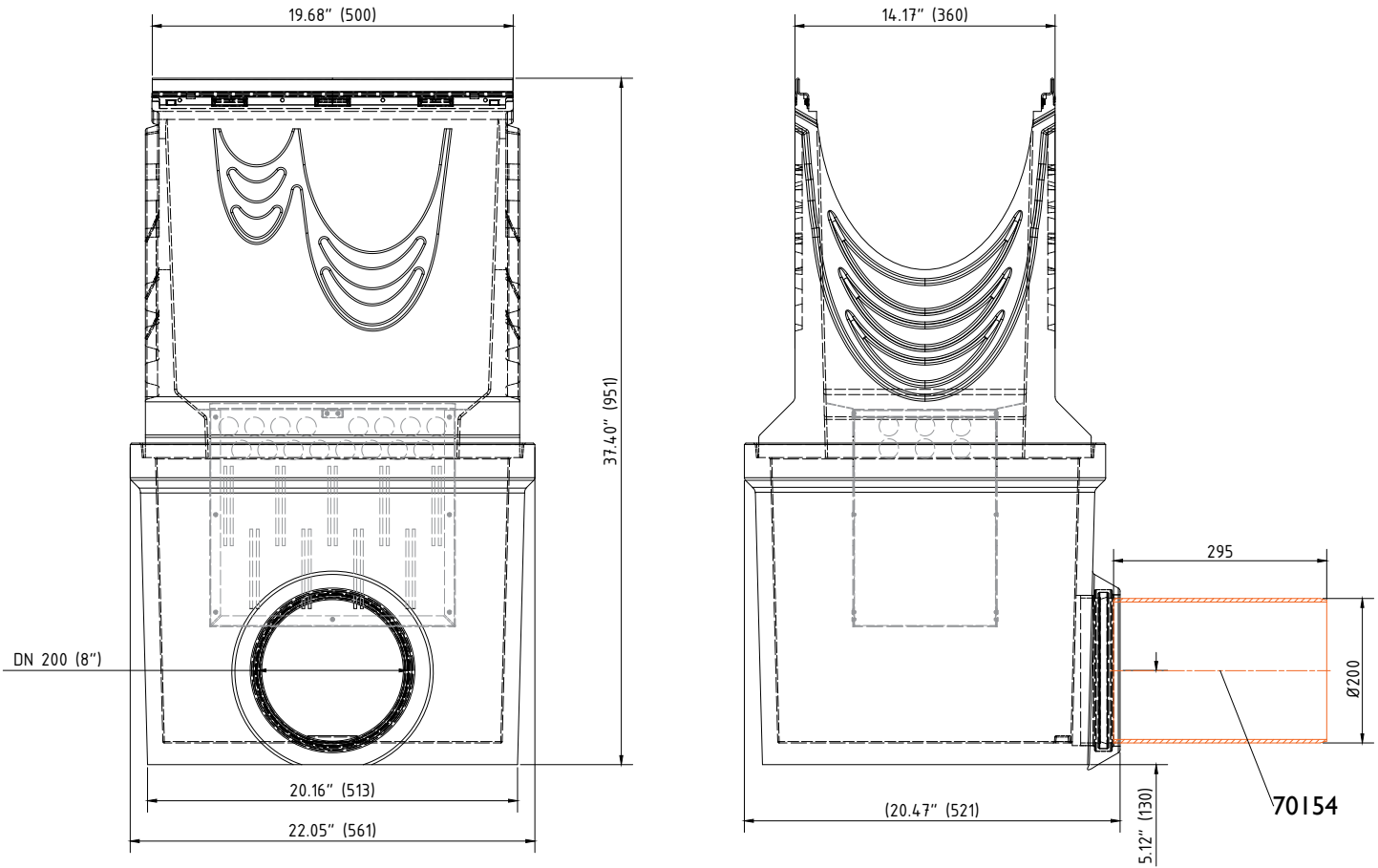


Accessories

- 1. Sump unit V 10630292 :
 (includes : Silt bucket : 22213)



Accessories BG-FILCOTEN® pro V NW 300 (12") – heavy duty series

	Item Nno.	Accessories	Material	Weight	
				LBS	kg
○	10630292	Catch basin KIT 12" with galvanized rails and 8" outlet with seal, including the sediment bucket	FILCOTEN HPC	278.22	126.2
○	19030213	Front/end cap stainless steel	Galvanized steel	3.75	1.7
○	19030214	End cap with outlet DN200	Galvanized steel	3.52	1.6
○	19030290	End cap for catch basin with connection cut-outs	Galvanized steel	3.75	1.7
○	19060020	Catch basin extension unit	FILCOTEN HPC	93.69	42.5
○	19021208	8" No Hub bottom outlet	Galvanized steel	2.20	1.0
○	19030902	Installation chair	Fabricated steel	2.34	1.1
○	19030295	Step connector plate NW300 pro 0/10-0/20-0	Galvanized steel	0.92	0.4
○	70154	Pipe connector DN200, L=295mm	Plastic	2.40	1.1

MATERIALS: Channels shall be manufactured from FILCOTEN® HPC (High Performance Concrete). Minimum properties of FILCOTEN® HPC will be as follows:

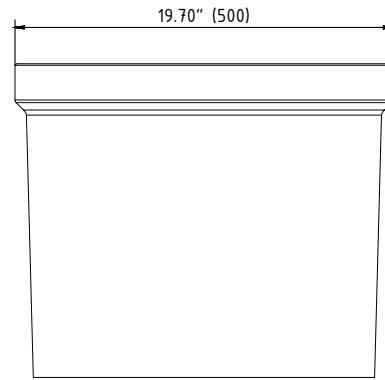
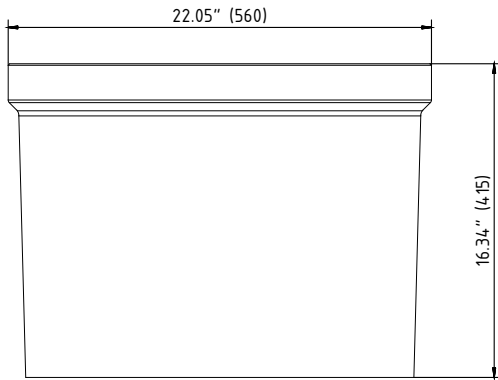
Compressive strength according to ASTM C39: 11 700 PSI
 Flexural strength: 1700 PSI
 Free of release agents: YES
 Water absorption sufficient for adhesion with concrete surfaces: YES
 Non flammable: YES

U/V resistant: YES
 Recyclable 100%: YES
 Dilute acid and alkali resistant: YES
 Frost thaw salt tested as per EN1433 with a test temperature up to -40°C (-40°F): YES
 Resistant to rapid freezing & thawing according to ASTM C666: YES
 Resistant to chloride ion penetration according to ASTM C1202: YES
 Material free of VOC, biocides, heavy metals: YES

Accessories (cont.)

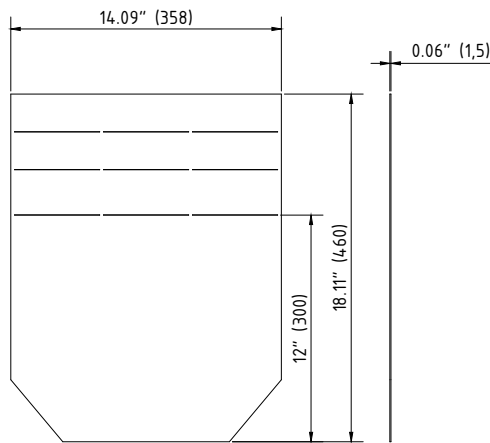
2. Catch basin extension unit:

19060020

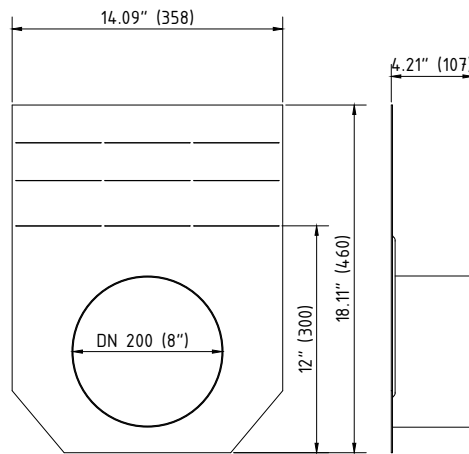


3. End cap:

19030213



19030214



4. Bolting material:

32110
 (Ductil iron grating)



32112
 (Mesh grating)



5. End cap for catch basin with connection cut-outs:

19030290

