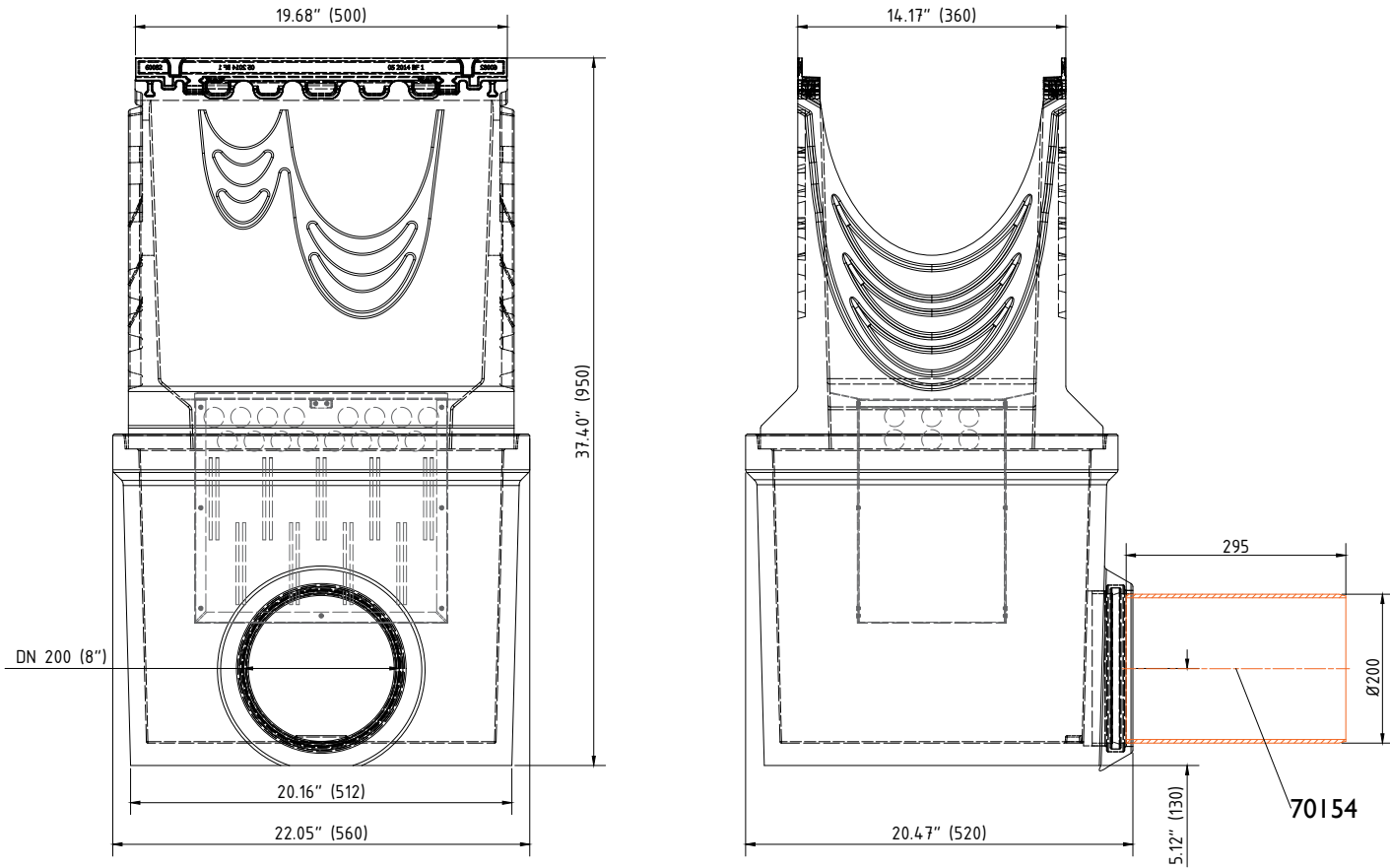


**Accessories**

- 1. Sump unit:  
 (includes: Silt bucket: 22213)  
 10630192



Accessories BG-FILCOTEN® pro G NW 300 (12") – extra heavy duty series

	Item Nno.	Accessories	Material	Weight	
				LBS	kg
○	10630192	Catch basin 12" with cast iron rails and 8" outlet with seal, incl. sediment bucket	FILCOTEN HPC	280.42	127.2
○	19030213	Front/end cap stainless steel	Galvanized steel	3.75	1.7
○	19030214	End cap with outlet DN200	Galvanized steel	3.52	1.6
○	19030290	End cap for catch basin with connection cut-outs	Galvanized steel	3.75	1.7
○	19060020	Catch basin extension unit	FILCOTEN HPC	93.69	42.5
○	19021208	8" No Hub outlet	Galvanized steel	2.20	1.0
○	19030902	Rebar suport	Fabricated steel	2.64	1.2
○	19030295	Step connector plate NW300 pro 0/10-0/20-0	Galvanized steel	0.92	0.4
○	70154	Pipe connector DN200, L=295mm	Plastic	2.40	1.1

**MATERIALS:** Channels shall be manufactured from FILCOTEN® HPC (High Performance Concrete). Minimum properties of FILCOTEN® HPC will be as follows:

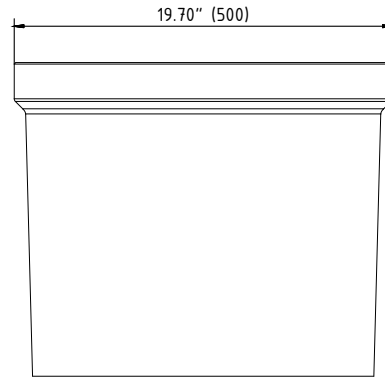
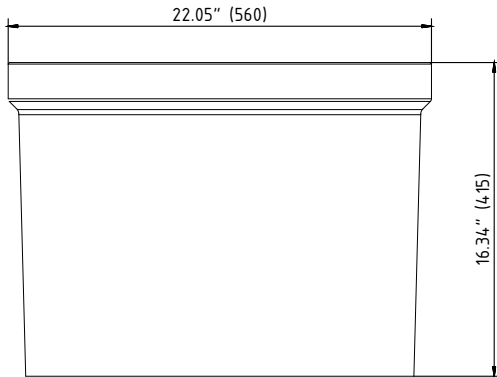
Compressive strength according to ASTM C39: 11 700 PSI  
 Flexural strength: 1700 PSI  
 Free of release agents: YES  
 Water absorption sufficient for adhesion with concrete surfaces: YES  
 Non flammable: YES

U/V resistant: YES  
 Recyclable 100%: YES  
 Dilute acid and alkali resistant: YES  
 Frost thaw salt tested as per EN1433 with a test temperature up to -40°C (-40°F): YES  
 Resistant to rapid freezing & thawing according to ASTM C666: YES  
 Resistant to chloride ion penetration according to ASTM C1202: YES  
 Material free of VOC, biocides, heavy metals: YES

**Accessories (cont.)**

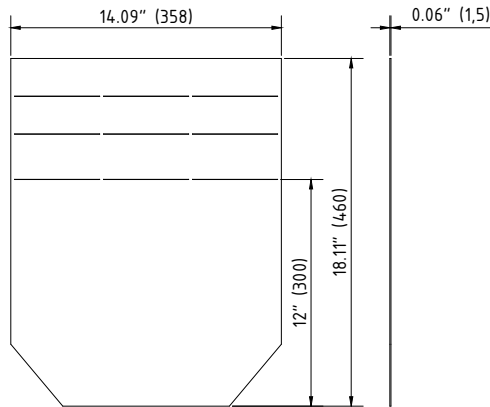
2. Catch basin extension unit:

19060020

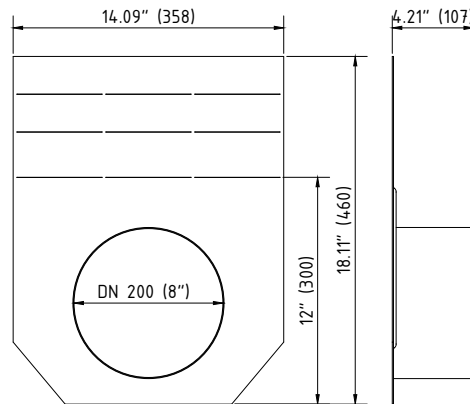


3. End cap:

19030213



19030214



4. Bolting material:

32110  
 (Ductil iron grating)



32112  
 (Mesh grating)



5. End cap for catch basin with connection cut-outs:

19030290

