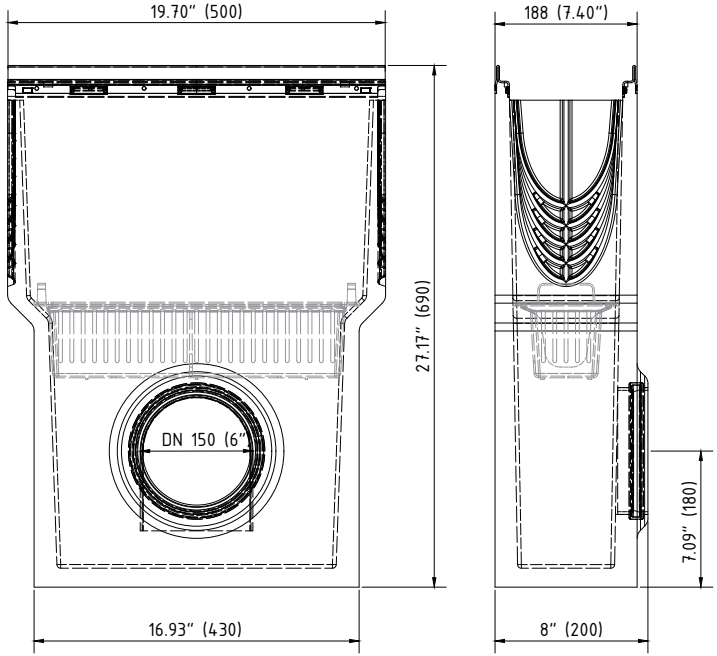




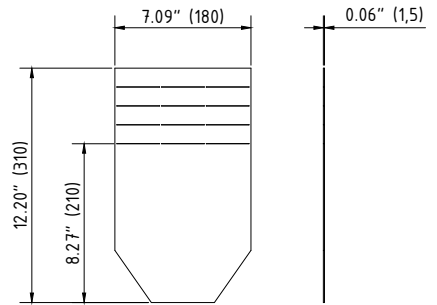
Accessories

1. Sump unit: 10615392
 (including: Silt bucket: 22516)
 E 10615390

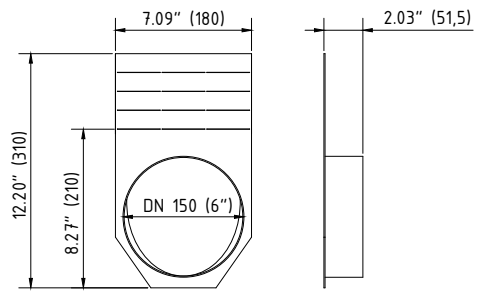


2. End cap:

19015215



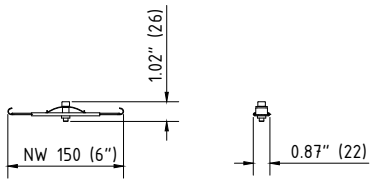
19015216



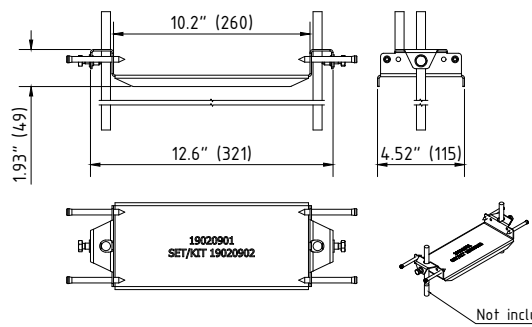
Accessories **BG-FILCOTEN® pro E NW 150 (6")** – heavy duty series

	Item Nm.	Accessories	Material	Weight	
				LBS	kg
○	10615392	Catch basin KIT 6" with stainless steel rails and 6" outlet with seal, including sediment bucket	FILCOTEN HPC	98.77	44.8
○	19015215	Front/end cap galvanized steel (for channels 0 up to 20-0)	Galvanized steel	1.10	0.5
○	19015216	6" No Hub end cap outlet	Galvanized steel	1.54	0.7
○	19016206	6" No Hub bottom outlet	Galvanized steel	1.32	0.6
○	19010902	Installation chair	Galvanized steel	1.78	0.8
○	19015295	Step connector plate NW150 pro 0/10-0/20-0	Galvanized steel	0.44	0.2
○	32088	Anti-vandalism locking device NW 150		0.22	0.1

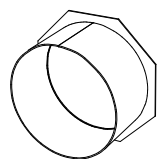
3. Anti-vandal locking device 32088:



4. Rebar Support 19020902:



5. Bottom outlet 19016206:



* See detailed spec sheets for the Anti-vandal locking device and the Rebar support.