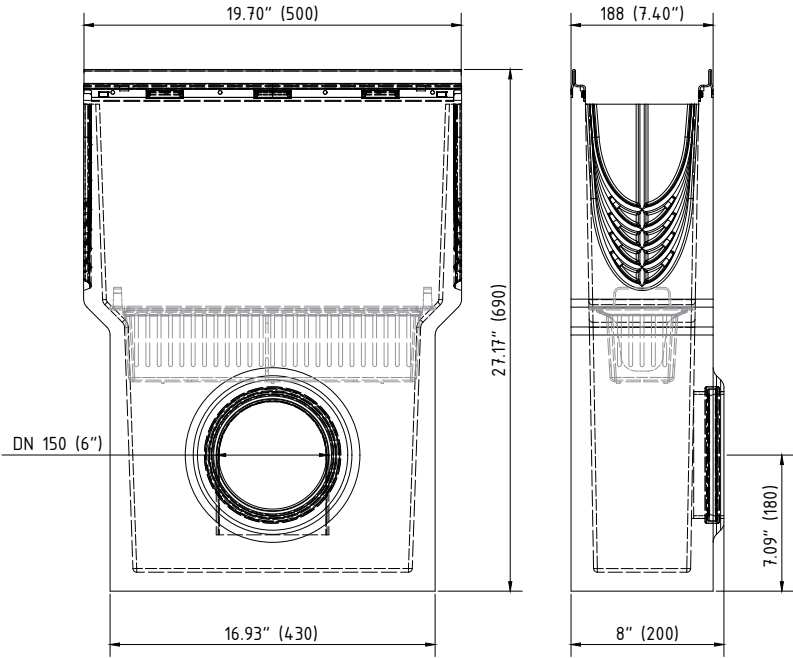


Accessories

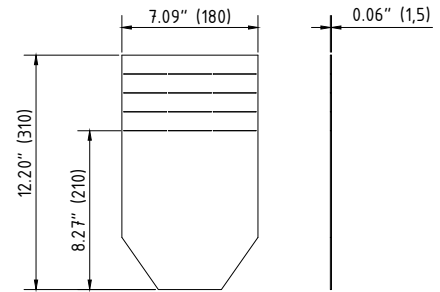
1. Sump unit: 10615292
 (including: Silt bucket: 22516)

V 10615290

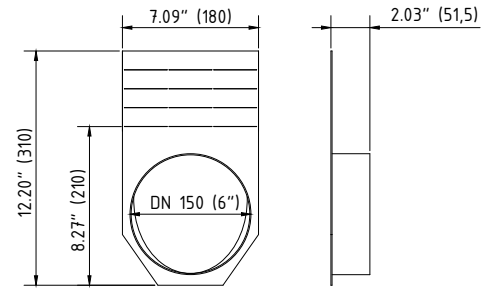


2. End cap:

V 19015215



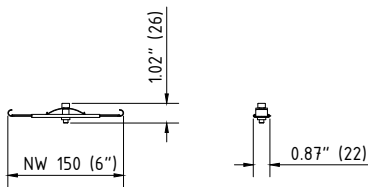
V 19015216



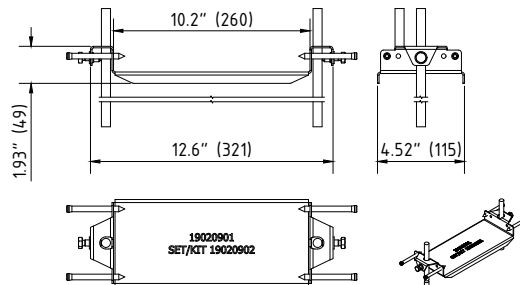
Accessories BG-FILCOTEN pro V NW 150 (6") – heavy duty series

	Item Nm.	Accessories	Material	Weight	
				LBS	kg
○	10615292	Catch basin KIT 6" with galvanized rails and 6" outlet with seal, including sediment bucket	FILCOTEN HPC	98.77	44.80
○	19015215	Front/end cap galvanized steel (for channels 0 up to 20-0)	Galvanized steel	1.10	0.50
○	19015216	6" No Hub end cap outlet	Galvanized steel	1.54	0.70
○	19016206	6" No Hub bottom outlet	Galvanized steel	1.32	0.60
○	19020902	Installation chair	Galvanized steel	1.78	0.81
○	19015295	Step connector plate NW150 pro 0/10-0/20-0	Galvanized steel	0.44	0.20
○	32088	Anti-vandalism locking device NW 150		0.22	0.10

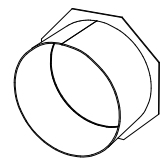
3. Anti-vandal locking device 32088:



4. Rebar Support 19020902:



5. Bottom outlet 19016206:



* See detailed spec sheets for the Anti-vandal locking device and the Rebar support.