

**Trench drain body with integral ductil iron rails - 39.40" (1000mm) length**

Channel body BG-FILCOTEN® pro G NW 150 (6") – extra heavy duty series

	Body part number cast iron rails	Channel type	Slope	Overall body depth		Maximum flow rate			Weight (less grate)	
				E1 (Min.)	E2 (Max.)	GPM *)	LPS *)	CFS *)	Lbs	Kg
○	10615100	150/0	0 %	8.27" (210 mm)	8.27" (210 mm)	172.8	10.9	0.38	69.67	31.60
○	10615101	150/1	0.5 %	8.27" (210 mm)	8.46" (215 mm)				69.45	31.5
○	10615102	150/2	0.5 %	8.46" (215 mm)	8.66" (220 mm)				71.21	32.3
○	10615103	150/3	0.5 %	8.66" (220 mm)	8.86" (225 mm)				72.97	33.1
○	10615104	150/4	0.5 %	8.86" (225 mm)	9.06" (230 mm)				74.74	33.9
○	10615105	150/5	0.5 %	9.06" (230 mm)	9.25" (235 mm)				76.50	34.7
○	10615161	150/5-0	0 %	9.25" (235 mm)	9.25" (235 mm)	217.2	13.7	0.48	77.60	35.2
○	10615106	150/6	0.5 %	9.25" (235 mm)	9.45" (240 mm)				78.48	35.6
○	10615107	150/7	0.5 %	9.45" (240 mm)	9.65" (245 mm)				80.25	36.4
○	10615108	150/8	0.5 %	9.65" (245 mm)	9.84" (250 mm)				82.01	37.2
○	10615109	150/9	0.5 %	9.84" (250 mm)	10.04" (255 mm)				83.78	38.0
○	10615162	150/10-0	0 %	10.24" (260 mm)	10.24" (260 mm)	266.3	16.8	0.59	85.54	38.8
○	10615110	150/10	0.5 %	10.04" (255 mm)	10.24" (260 mm)				85.54	38.8
○	10615164	150/20-0	0 %	12.20" (310 mm)	12.20" (310 mm)	372.5	23.5	0.83	105.38	47.8

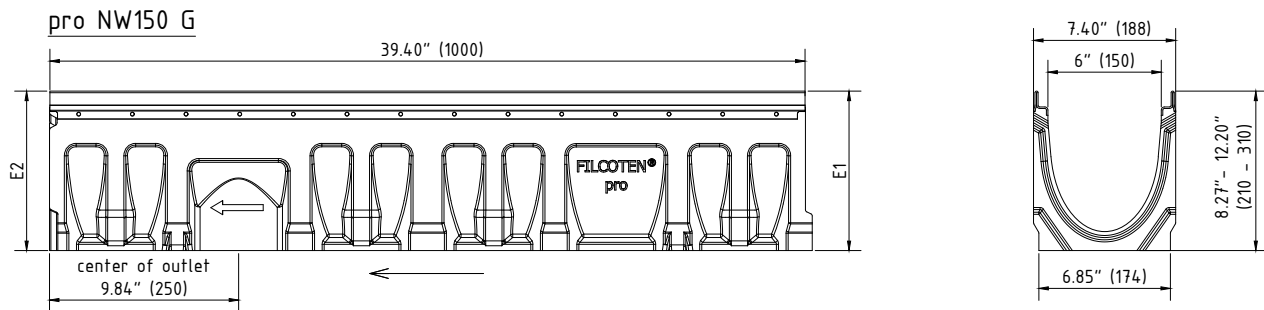
1) With cast-iron rail, tested up to cl. F 900 acc. to EN 1433. Installation according to the manufacturer's installation instructions.

\*) GPM = Gallons per minute, LPS = Liters per second, CFS = Cubic feet per second

**Specification:** BG-FILCOTEN pro-G NW150, 7.40" (188mm) wide, 39.40"(1000mm ) long, pre-sloped (0.5%) or neutral BG-FILCOTEN trench drain system. Body is manufactured from a high performance concrete HPC material. Bodies have interlocking ends, a radiused extract for efficient liquid drainage and a multiple anchoring ribs to securely hold the body into the concrete foundation. Each body is manufactured with an integral 0.20" (6mm) thick, extra heavy duty, galvanized steel rail. End and bottom outlets are available in 6"(150mm ) no hub outlet connections. Grate options include extra heavy duty ductile iron (Load Class E), slotted heavy/medium duty galvanized steel (Load Class F). Decorative grates are available. Grates are secured to the body with a four point self-locking system. Catch basins and others accessories are also available.

**Function:** Used in commercial areas such as factories, warehouses, parking garages, car dealerships, gas stations, public and residential areas, parks, sports complexes, town squares, railway stations and cycle and foot paths. Ideal for environmentally sensitive areas because the body channels are free of resins, heavy metals, VOC and chemicals. Exceptional adhesion to surrounding concrete foundation due to the concrete composition of the body channels - resulting in a monolithic all concrete installation. Less breakage during transport and installation due to impact resistant, fibre-reinforced, UV resistant concrete material. Extra heavy duty integral galvanized steel rail allows for heavy duty, hard wheel traffic applications.

1. Channel:



**MATERIALS:** Channels shall be manufactured from FILCOTEN® HPC (High Performance Concrete). Minimum properties of FILCOTEN® HPC will be as follows:

Compressive strength according to ASTM C39:	11700 PSI
Flexural strength:	1700 PSI
Free of release agents:	YES
Water absorption sufficient for adhesion with concrete surfaces:	YES
Non flammable:	YES

U/V resistant:	YES
Recyclable 100%:	YES
Dilute acid and alkali resistant:	YES
Frost thaw salt tested as per EN1433 with a test temperature up to -40°C (-40°F):	YES
Resistant to rapid freezing & thawing according to ASTM C666	YES
Resistant to chloride ion penetration according to ASTM C1202	YES
Material free of VOC, biocides, heavy metals:	YES