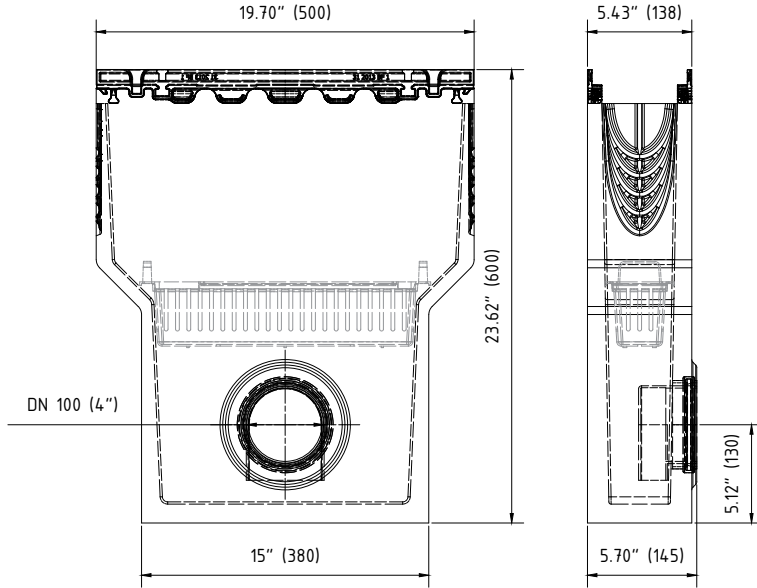


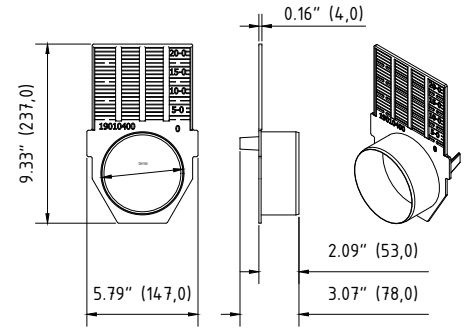
Accessories

1. Sump unit: 10610192
(including: Silt bucket: 22515)

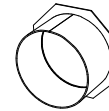
G 10610190



2. Front/End cap: 19010400



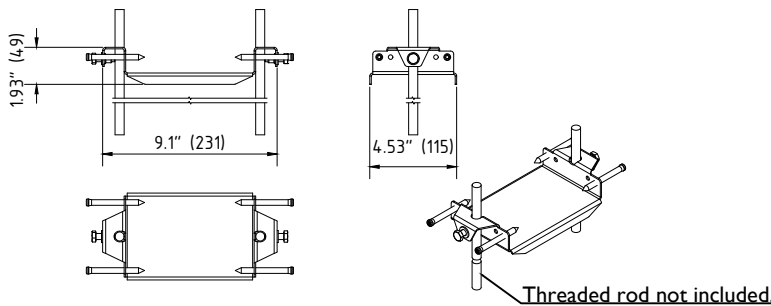
3. No Hub bottom outlet: 19011204



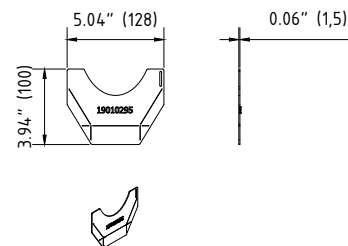
Accessories BG-FILCOTEN® pro G NW 100 (4") – extra heavy duty series

	Item Nno.	Accessories	Material	Weight	
				LBS	kg
○	10610192	Catch basin 4" KIT with cast iron rails and 4" outlet with seal, including sediment bucket	FILCOTEN HPC	72.77	33.0
○	19010400	Front/end cap	Plastic	0.26	0.1
○	19010204	4" No Hub bottom outlet	Galvanized steel	0.66	0.3
○	19010902	Rebar suport	Galvanized steel	1.32	0.6
○	19010295	Step connector NW100 pro 0/10-0/20-0	Galvanized steel	0.22	0.1

4. Installation support: 19010902



5. Step connector: 19010295



* See detailed spec sheet for the Rebar support.