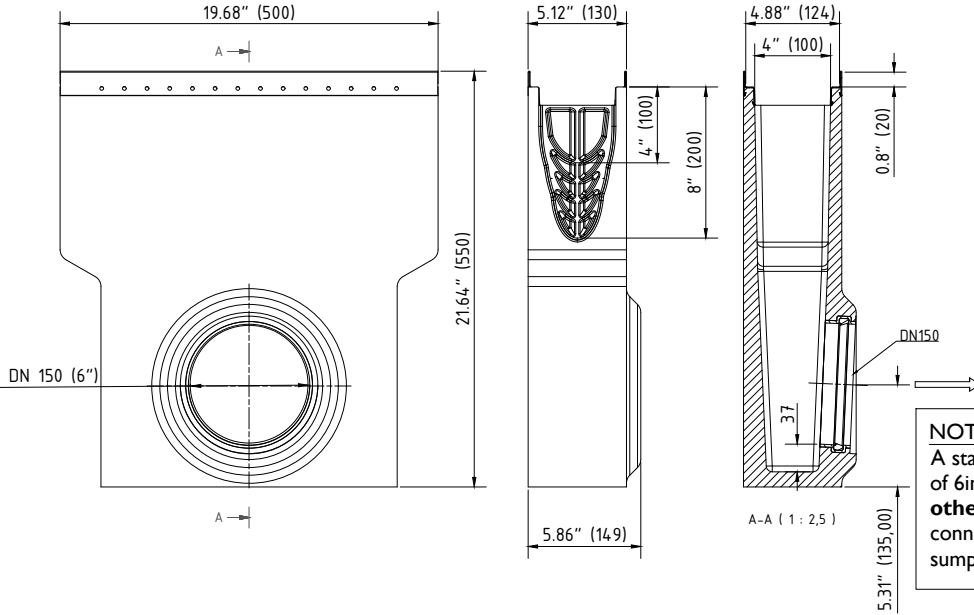


Accessories

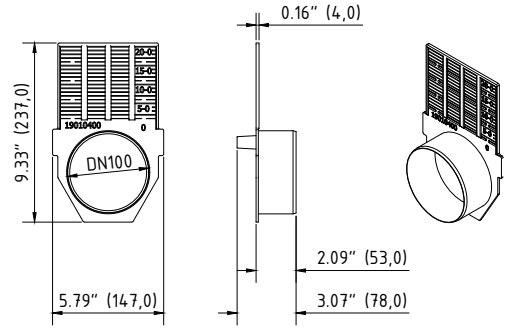
1. Sump unit:

(including: Sediment bucket: 22515)

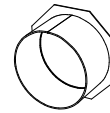
V 10410394



2. Plaque terminale : 19010400



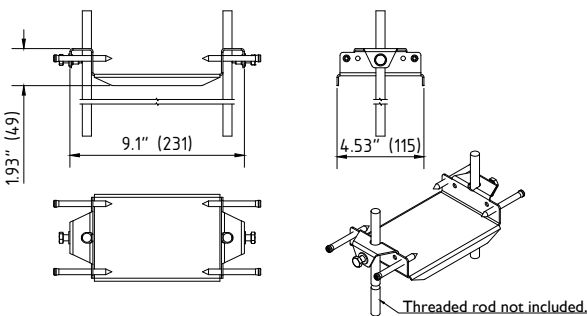
3. Sortie verticale 19011304 :



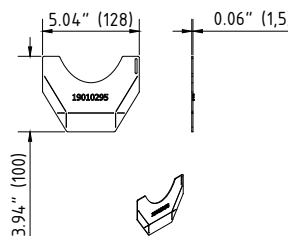
Accessories BG-FILCOTEN® tec E NW 100 (4")

	Item no.	Accessories	Material	Weight	
				LBS	kg
○	10410394	Catch basin E 500/148/550 with pipe coupling DN 150	FILCOTEN HPC	65.26	29.6
○	22515	Sediment bucket for catch basin	Plastic	0.44	0.2
○	19010400	Front/end cap	Plastic	0.26	0.1
○	19011304	4" No Hub bottom outlet	Stainless steel	0.66	0.3
○	19010902	Installation support	Fabricated steel	1.37	0.6
○	19010295	Step connector NW100 pro 0/10-0/20-0	Galvanized steel	0.22	0.1
○	32087	Anti-vandalism locking device NW 100	Stainless steel	0.22	0.1

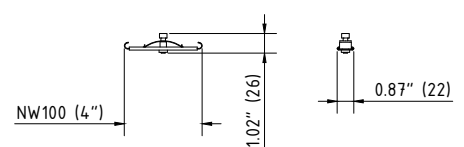
4. Installation support 19010902:



5. Step displace plate : 19010925



3. Anti-vandal locking device 32087:



* See detailed spec sheet for the Anti-vandal locking device and Installation support.