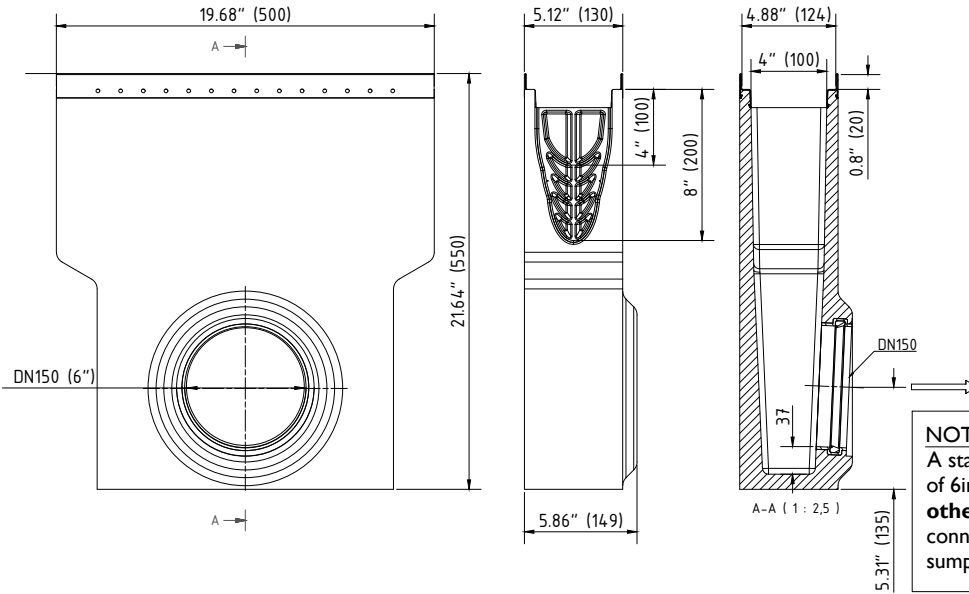


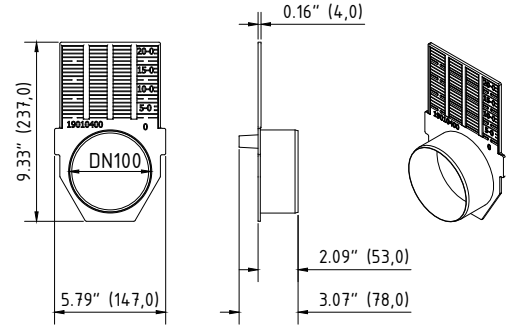
**Accessories**

1. Sump unit:  
(optional: Silt bucket: 22515)

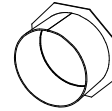
V 10410294



2. Plaque terminale : 19010400



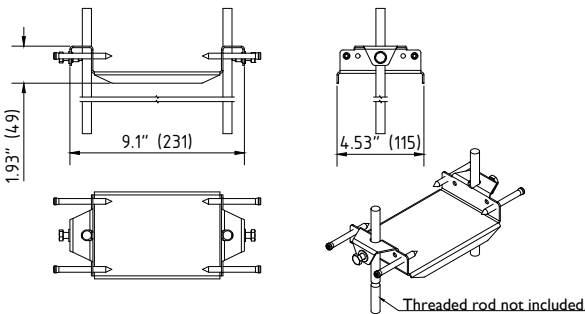
3. Sortie verticale 19011204 :



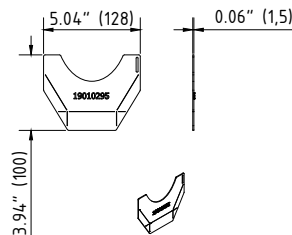
Accessories BG-FILCOTEN® tec V NW 100 (4")

	Item no.	Accessories	Material	Weight	
				LBS	kg
○	10410294	Catch basin V 500/148/550 with pipe coupling DN 150	FILCOTEN HPC	65.26	29.60
○	22515	Sediment bucket for catch basin	Plastic	0.44	0.20
○	19010400	Front/end cap	Plastic	0.26	0.10
○	19011204	4" No Hub bottom outlet	Galvanized steel	0.66	0.30
○	19010902	Installation support	Fabricated steel	1.37	0.62
○	19010295	Step connector NW100 pro 0/10-0/20-0	Galvanized steel	0.22	0.10
○	32087	Anti-vandalism locking device NW 100	Stainless steel	0.22	0.10

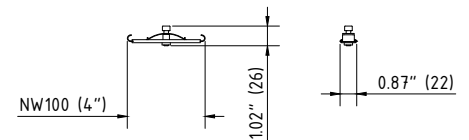
4. Installation support 19010902:



5. Step displace plate : 19010295



3. Anti-vandal locking device 32087:



\* See detailed spec sheet for the Anti-vandal locking device and Installation support.