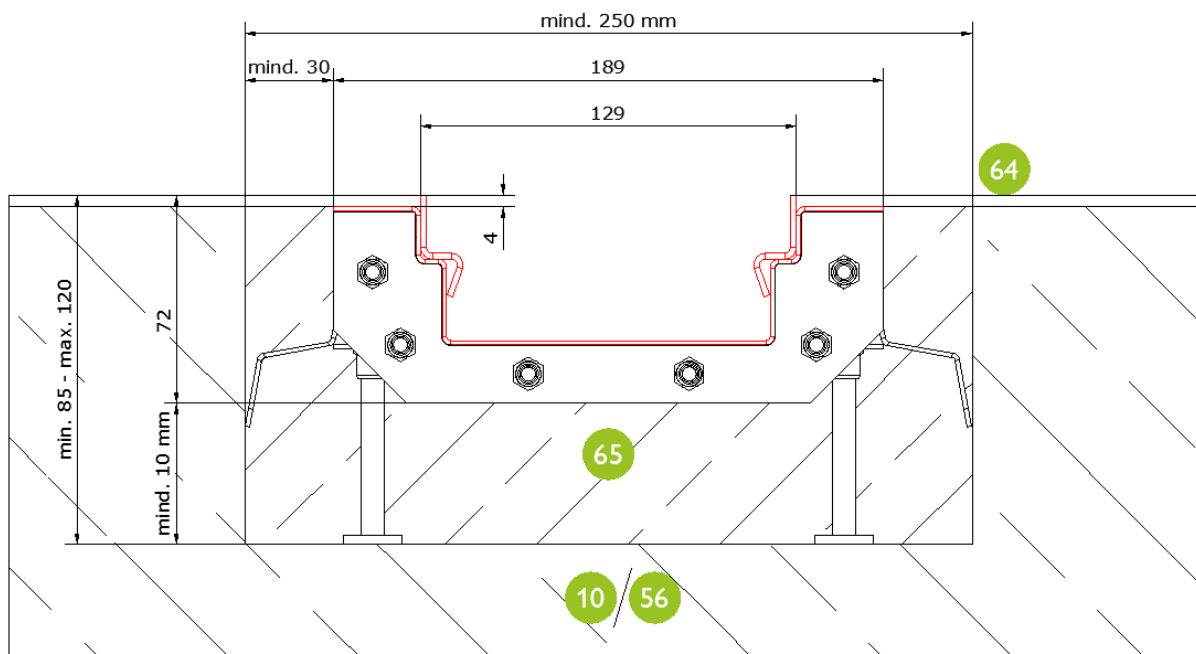


Beton beschichtet / concrete coated: Kl. / cl. A - C



Legende / key:

- | | | | |
|-----|--|-----|---|
| 10. | Betonfundament / concrete foundation | 64. | Beschichtung lt. Vorgabe Planer / coating according to planner requirements |
| 56. | Stahl-Betondecke / steel-reinforced concrete surface | 65. | Vergussmörtel / grout |