

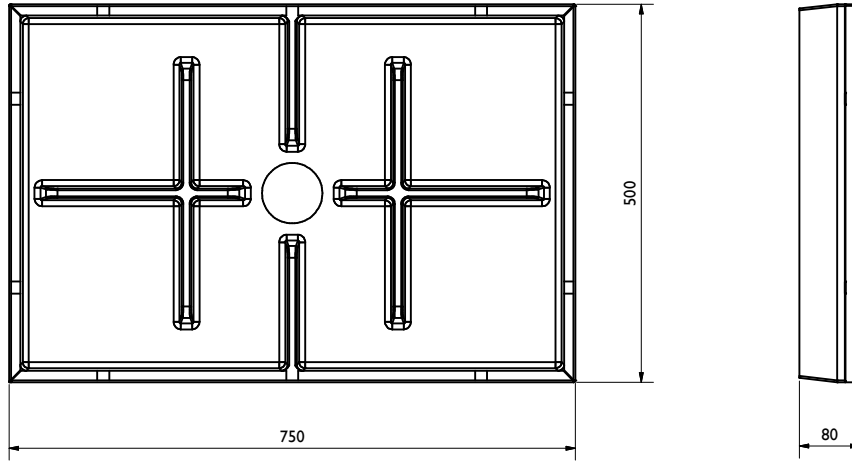
BG-FILCOTEN step
750/500/80



GRASPOINTNER
Sustainable innovation.

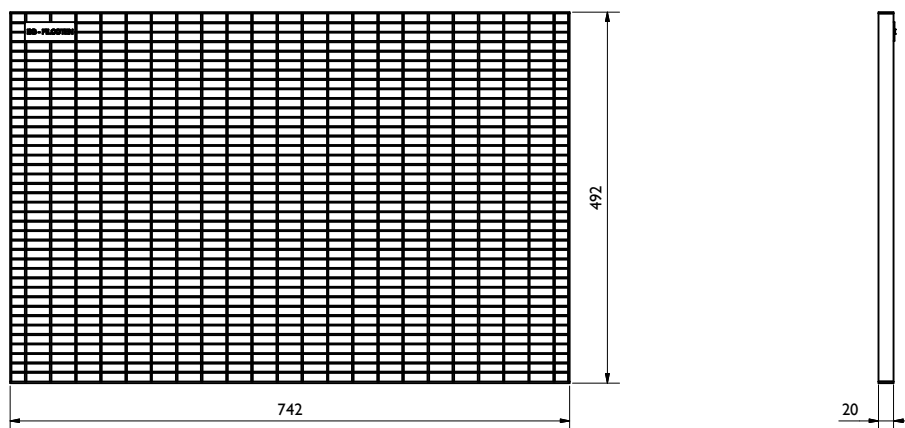
schoenvegerbox: _____

BG code: FCT 14155002; 18 kg:

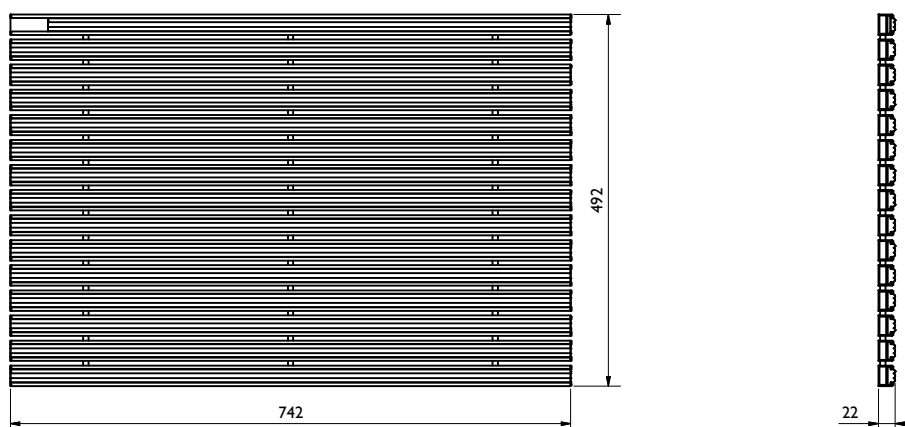


Roosters, afdekkingen: _____

mazenrooster: MW30/10
BG code: V 17555002; 6,7 kg:



geribbelde mat
BG code: 17555012; 5,3 kg:



geprofileerde rubbermat
BG code: 17555022; 7,4 kg:

