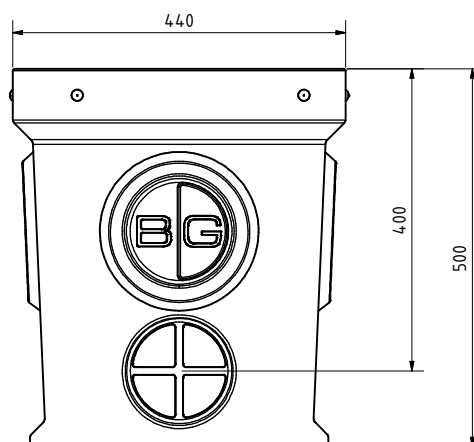
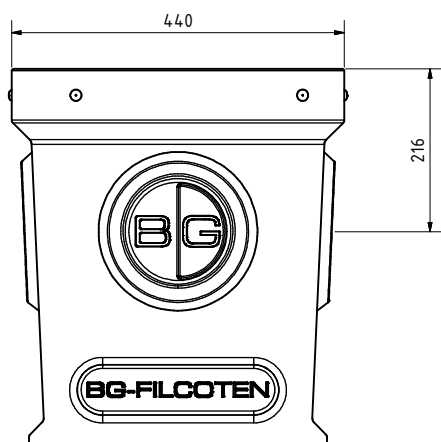


**BG-FILCOTEN spot-p
Pumpensumpf / sump pit**



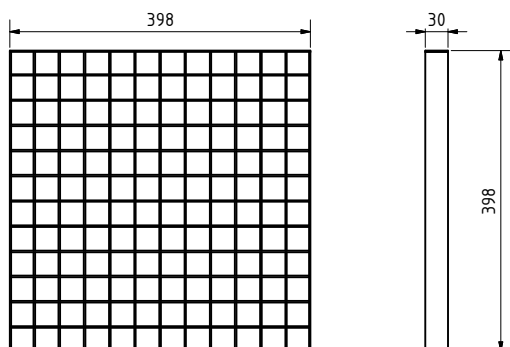
GRASPOINTNER
Sustainable innovation.

Pumpensumpf, 440/440/500 / sump pit, 440/440/500
BG code: 14140000; 51,5kg

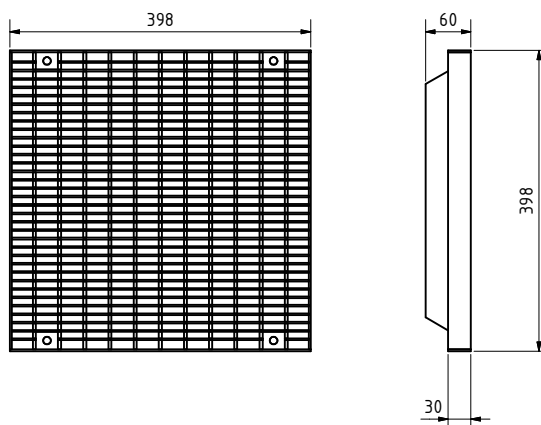


Roste, Abdeckungen / grates, covers:

Gitterrost / Mesh grating: MW 30/30
BG code: V 17540201; 10,0 kg:

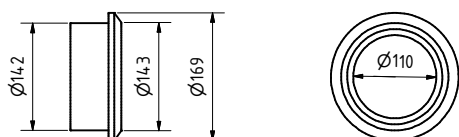


Gitterrost / Mesh grating: MW 30/10
BG code: E (B125) 20700301; 10,0 kg
BG code: E (C250) 20700302; 11,8 kg:



Zubehör / accessories:

Forsheda-Dichtung DN100 / Forsheda pipe seal DN100
BG code: 31310; 0,4 kg:



Sicherungsschraube M8x25 mm / Screw M8x25mm
BG code: E 32108:

