

General information

The following installation guidelines and installation examples are intended for standard applications. The load class and the installation location in accordance with EN1433 must be adapted to the local conditions by the planner. The technical regulations and guidelines generally known to experts must be taken into account during installation. In special cases, please contact our BG-team.

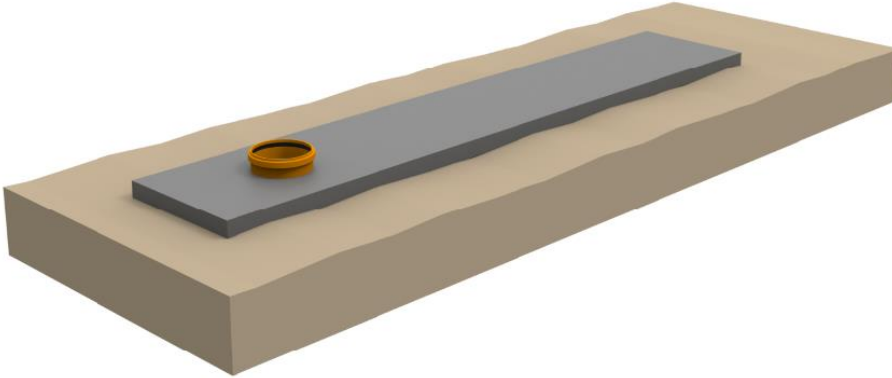
Installation guidelines for using the universal installation support NW100-300

1. Define the position of the channel axis and the drain point and lay the sewer base pipes for later connection to the channel line. This applies equally to the use of a floor drain, an end plate with a drain or a gully - see picture 1.
2. The installation supports are installed on a blinding layer of concrete - see picture 2.
3. Define the beginning of the channel line based on the drain point (250 mm from the drain axis to the end of the channel body) and place a string line (or laser) on one of the threaded rods of the lower part of the installation support. Distance from channel axis to outer edge of threaded rod:
size 1: 122 mm size 2: 146 mm size 3: 206 mm
4. Place the lower parts of the installation supports at a distance of 1000 mm along the string line and attach the bottom parts in the blinding layer.
5. The concrete reinforcement can then be incorporated. Connecting the reinforcement to the threaded rods of the installation supports is recommended – see picture 3.
6. Put the top parts together on the corresponding width - see picture 4.1-, then adjust the approximate height with the nuts and put the top part on - see picture 4-. We recommend a string line for the side position and the top edge of the channel. The top edge of the channel should be approx. 3-5mm below the finished covering.
7. When setting the channel, start at the drain point, i.e. with the channel with drain hole or the end plate with drain or the gully and connect the sewer pipe.
8. Adjust the channel vertically and horizontally with the nuts or screws and thus fix the gutters on the installation supports in the correct position to prevent them from floating - see picture 5 and 5.1.
9. Taping the gutter joints on the outside is recommended to prevent lateral penetration of concrete slurry if the safety seam is not sealed.
10. If necessary, shorten the protruding threaded rods of the installation supports and complete the channel line (e.g. end plate, channel gratings or wooden insert for stiffening). Make sure that the gutter system is protected from contamination when concreting.
11. Concrete the area according to the known technical regulations and guidelines. Transverse joints in concrete should always be made at the joint of the channels.
12. All adjacent surface layers should permanently run 3-5 mm higher than the surface of the channel to avoid mechanical damage (e.g. snow removal) and to ensure water drainage.
13. In areas where increased chemical attacks (e.g. de-icing agents, acids, alkalis, etc.) are to be expected, we recommend installing drainage channels with stainless steel frames and stainless steel covers.
14. The same installation guidelines apply to gullies.

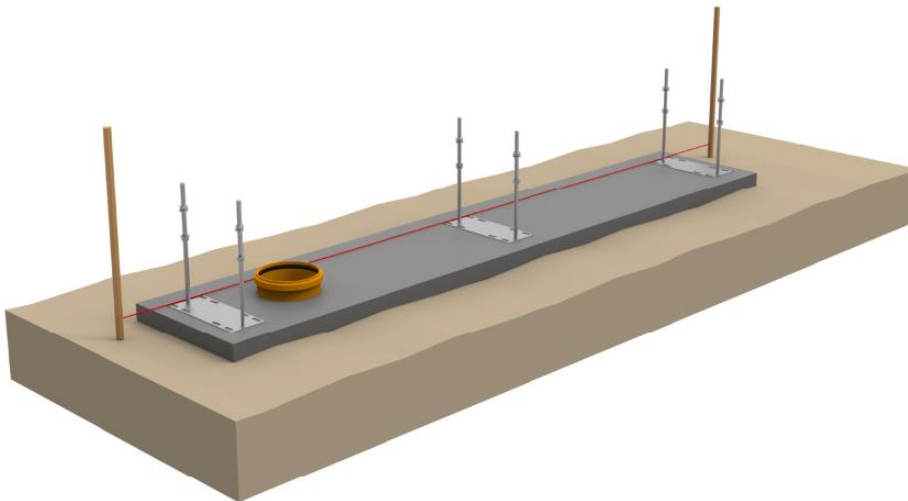
Installation guideline: installation support NW100-300



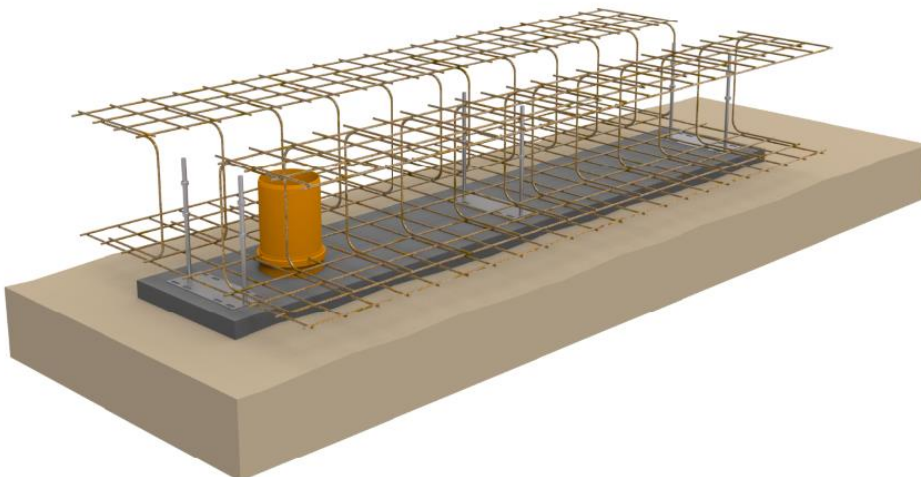
picture 1:



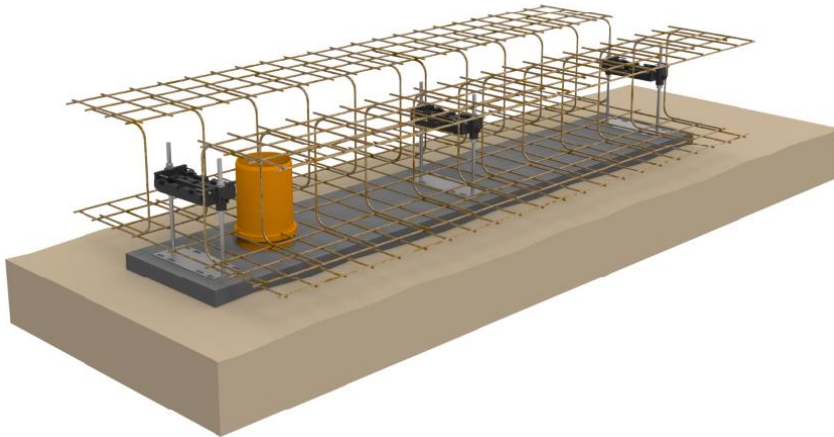
picture 2:



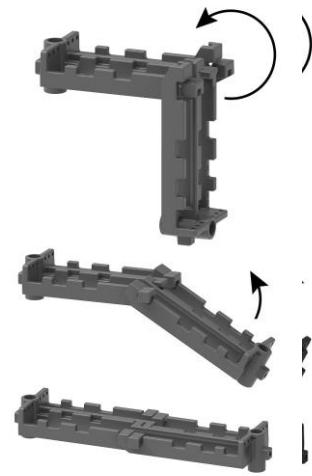
picture 3:



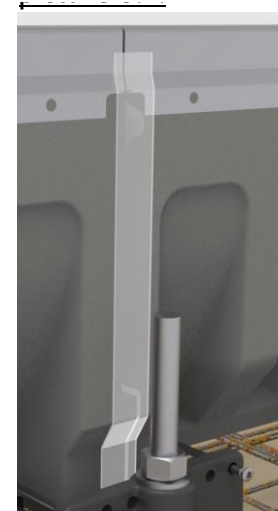
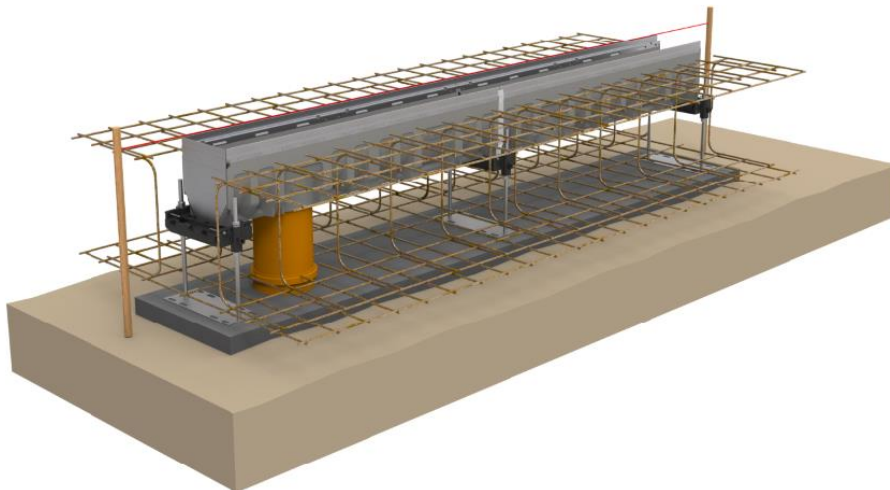
picture 4:



picture 4.1



picture 5:



picture 6:

