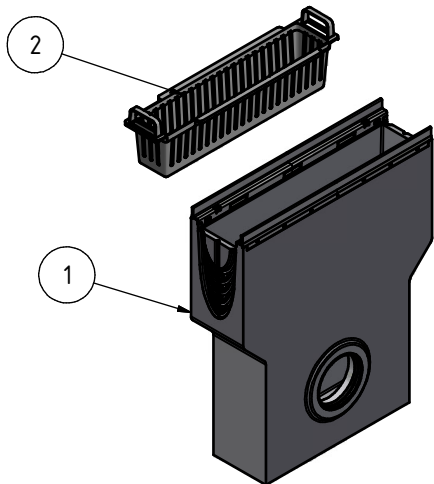
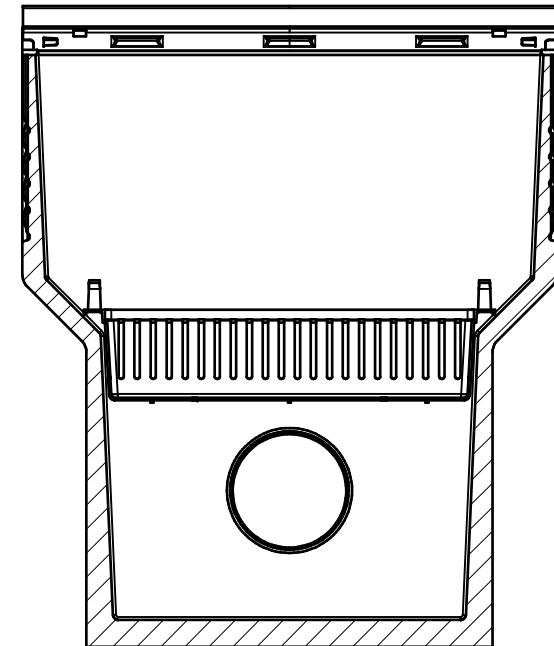


A-A (1 : 5)



Bauteilliste / component list			
Nr. / No.	Anzahl / amount	Art. Nr. / Art. No.	Beschreibung / description
1	1	10610390	pro Sinkkasten Edelmet. inkl. KG-Muffe pro sump unit stainl. with pipe coupling NW100 500/145/600 DN100 Dm110
2	1	22515	Schlammeimer/silt bucket NW100



GRASPOINTNER
Sustainable innovation.

A-4882 Gessenschwandt 39 Tel.: +43-6233-8900-0
E-mail: office@bg-graspointner.com Fax: DW 303

BG-FILCOTEN
pro Sinkkasten Edelstahl-Zarge SET
pro sump unit stainl. steel edge KIT
NW100 DN100 Dm110

BG-Code.: 10610392

Revision: 01

Name.: SPSA

Date.: 12.08.2021