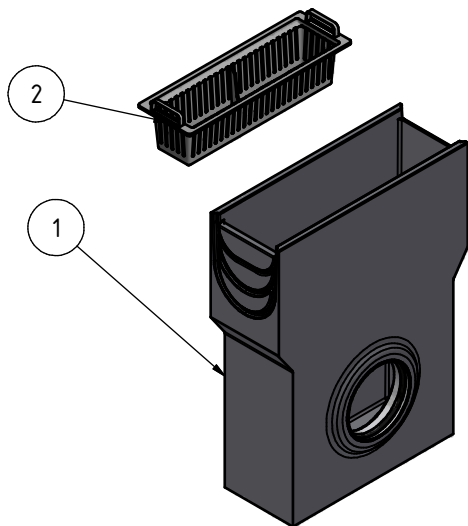
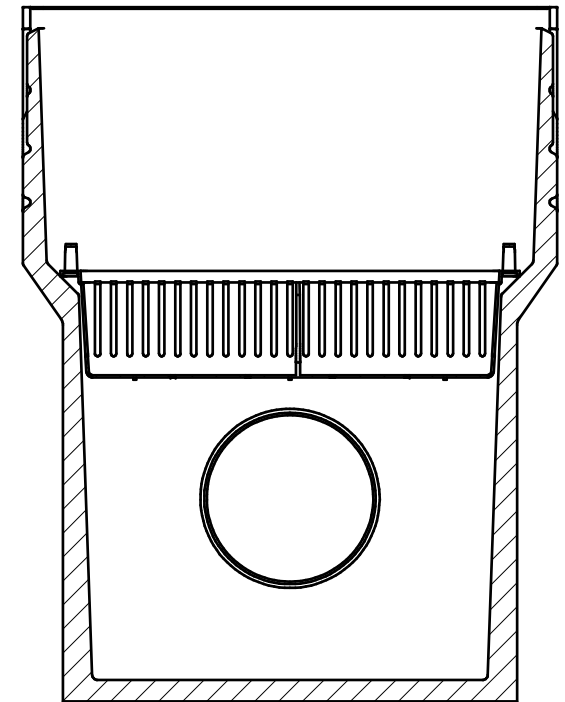


A-A ( 1 : 5 )



Bauteilliste / component list			
Nr. / No.	Anzahl / amount	Art. Nr. / Art. No.	Beschreibung / description
1	1	10315091	light Sinkkasten inkl. KG-Muffe light sump unit with pipe coupling NW150 500/195/650 DN150 Dm160mm
2	1	22516	Schlammemeier/silt bucket NW150



**GRASPOINTNER**  
Sustainable innovation.

A-4882 Gessenschwandt 39 Tel.: +43-6233-8900-0  
E-mail: office@bg-graspointner.com Fax: DW 303

**BG-FILCOTEN**  
light Sinkkasten SET  
light sump unit KIT  
NW150 DN150 Dm160mm

BG-Code.: 10315092

Revision: 01

Name.: SPSA

Date.: 12.08.2021