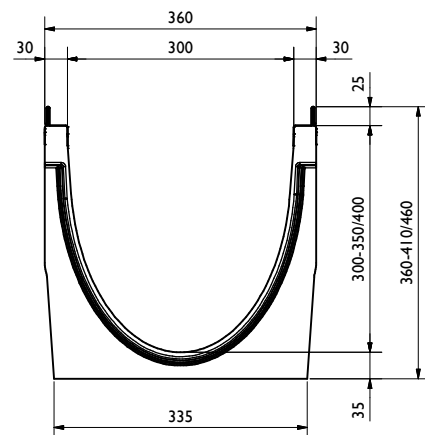
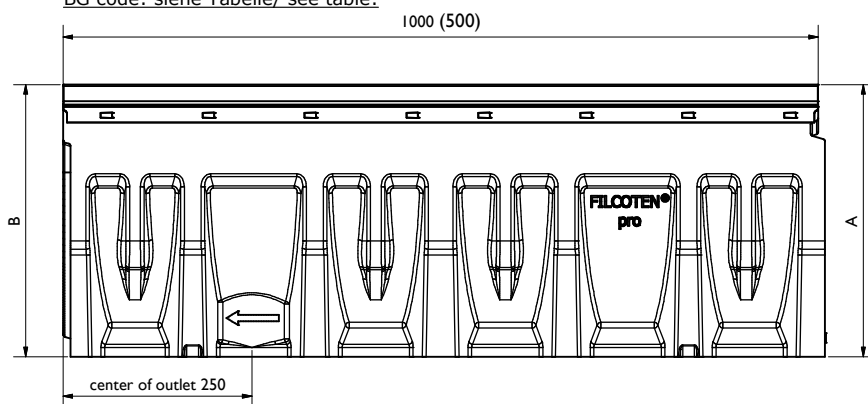
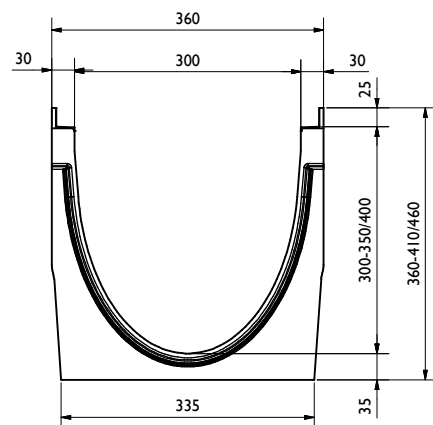
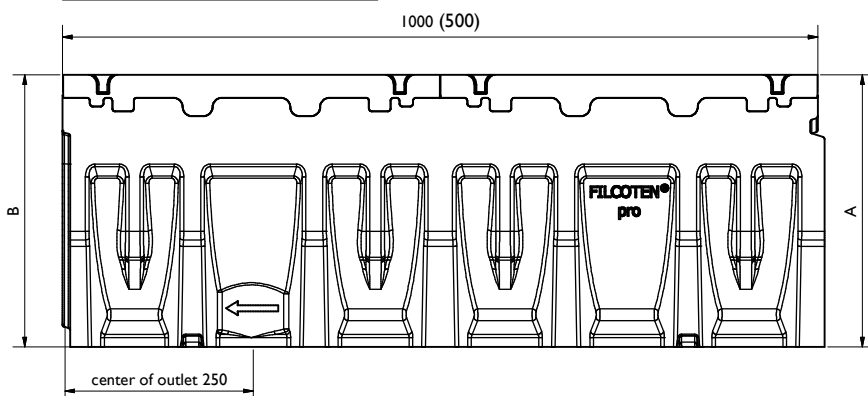


Rinne / Channel:

FCT pro NW300 V
BG code: siehe Tabelle/ see table:



FCT pro NW300 G
BG code: siehe Tabelle/ see table:



Rinne / channel - Maße / dimensions [mm]							
BG code G	BG code V	Typ	Höhe A height A	Höhe B height B	Länge length	Gewicht weight G [kg]	Gewicht weight V [kg]
I0630100	I0630200	0	360	360	1000	77,3	75,6
I0630180	I0630280	0 (0,5m)	360	360	500	38,8	37,9
I0630101	I0630201	1	360	365	1000	78	76,3
I0630102	I0630202	2	365	370	1000	79,3	77,6
I0630103	I0630203	3	370	375	1000	80,6	78,9
I0630104	I0630204	4	375	380	1000	81,9	80,2
I0630105	I0630205	5	380	385	1000	82,2	81,5
I0630161	I0630261	5-0	385	385	1000	83,9	82,2
I0630106	I0630206	6	385	390	1000	84,5	82,8
I0630107	I0630207	7	390	395	1000	85,8	84,1
I0630108	I0630208	8	395	400	1000	87,1	85,4
I0630109	I0630209	9	400	405	1000	88,4	86,7
I0630110	I0630210	10	405	410	1000	89,7	88
I0630162	I0630262	10-0	410	410	1000	90,3	88,6
I0630164	I0630264	20-0	460	460	1000	110,7	109

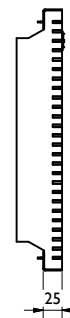
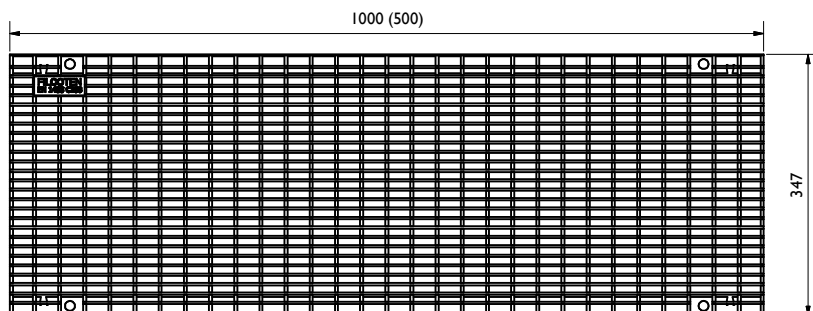
Legende / explanation:	
FCT:	FILCOTEN HPC
V:	verzinkter Stahl / galvanized steel
E:	Edelstahl / stainless steel
G:	Gußeisen / ductile iron
H:	Holz / wood

Roste, Abdeckungen / grates, covers:

4-fach verschraubbar/4-times bolted

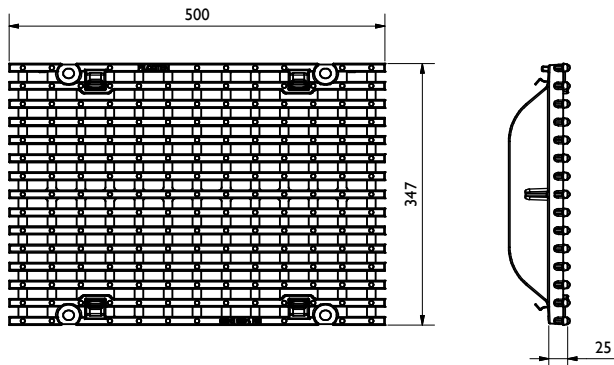
Gitterrost / Mesh grating: MW30/10, C250

BG code: V 17030222 (17030223); 23 kg (11,6 kg):

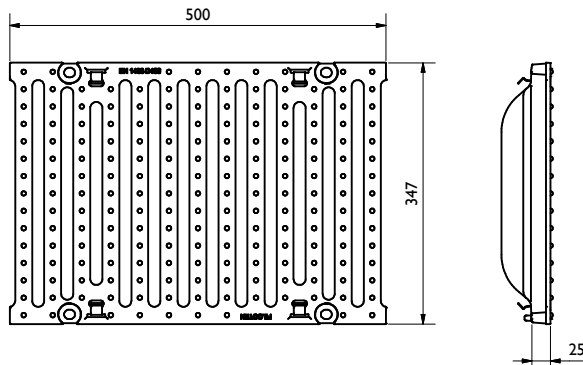


Roste, Abdeckungen / grates, covers:
4-fach verschraubbar/4-times bolted

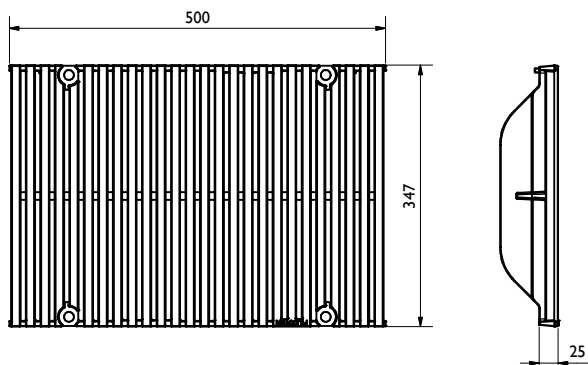
Gußrost / Ductile iron grating: MW29/13, D400
BG code: GJS 17030102; 15,2 kg:



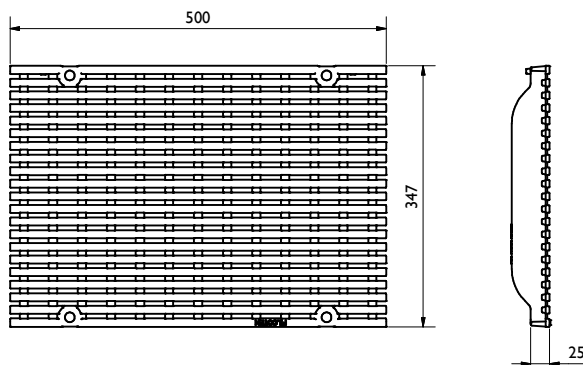
Gußrost / Ductile iron grating: SW16/300, D400
BG code: GJS 17030108; 17,4 kg:



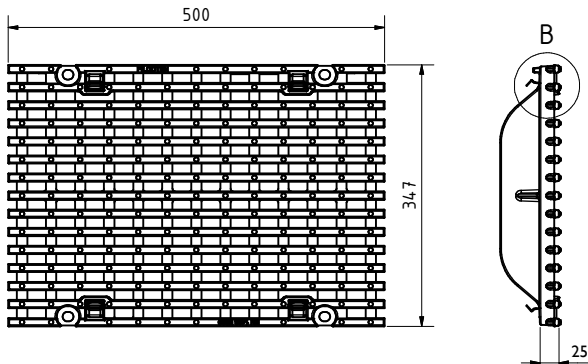
Guß-Designrost / DI design grating: KIARO, D400
BG code: GJS 17030183; 19,3 kg:



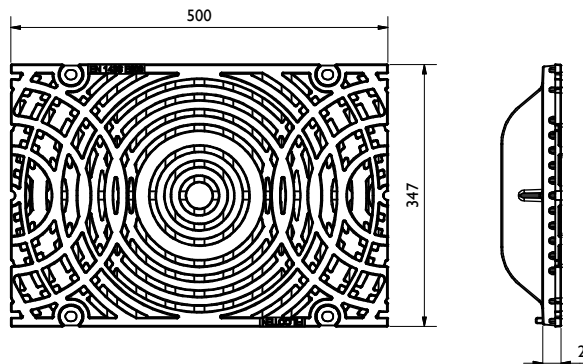
Guß-Designrost / DI design grating: VIA, D400
BG code: GJS 17030184; 16,9 kg:



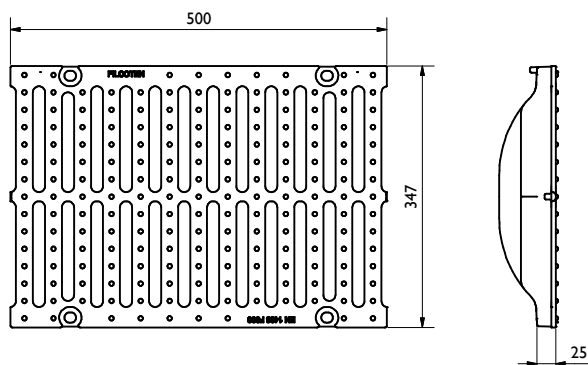
Gußrost / Ductile iron grating: MW29/13, E600
BG code: GJS 17030103; 17,9 kg:



Guß-Designrost / DI design grating: VILLE, E600
BG code: GJS 17030180; 20 kg:



Gußrost / Ductile iron grating: SW2x16/140, F900
BG code: GJS 17030107; 22,3 kg:

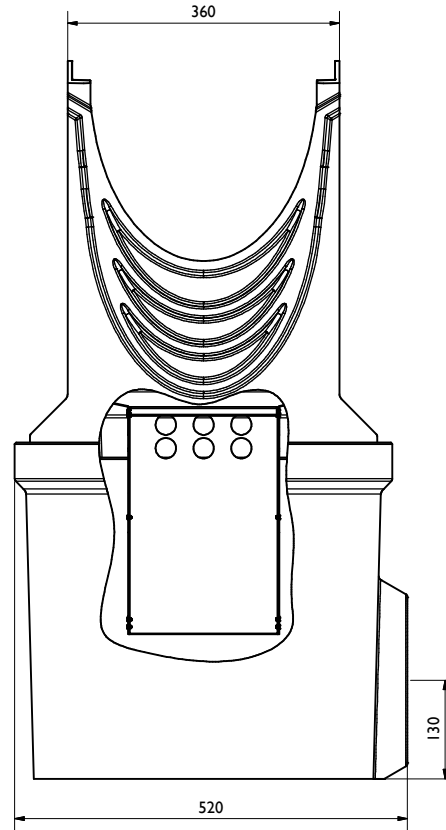
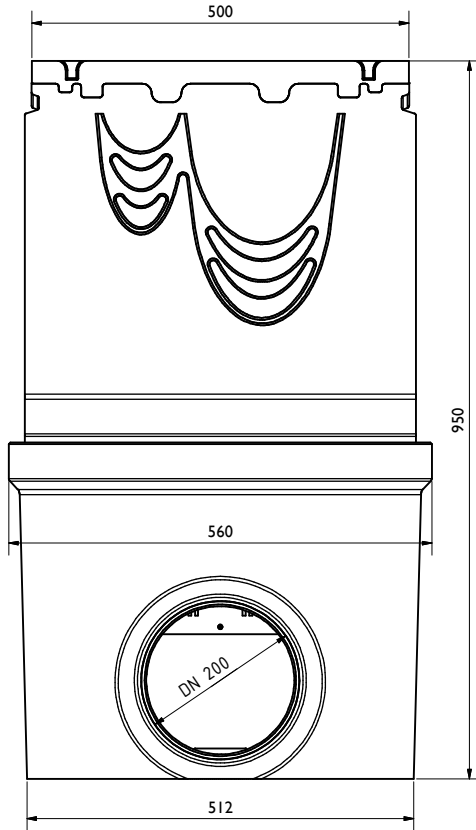


Zubehör / accessories:

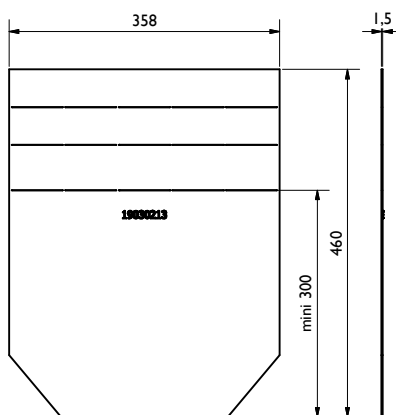
Sinkkasten / Sump unit:

inkl. Schlammemeier / incl. silt bucket (22213; 3,2 kg)

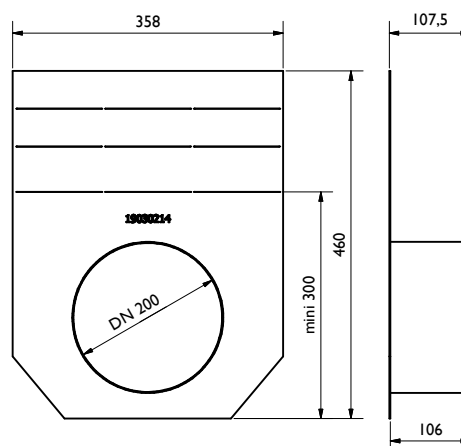
BG code: G 10630192; 127,2 kg, V 10630292; 126,2 kg:



Stirn-/ Endplatte / End cap:
BG code: V 19030213; 1,7 kg:



Stirn-/ Endplatte / End cap:
BG code: V 19030214; 1,6 kg:



Verschraubungsmaterial / Bolting material:
BG code: V 32110:



Verschraubungsmaterial / Bolting material:
BG code: V 32112:

