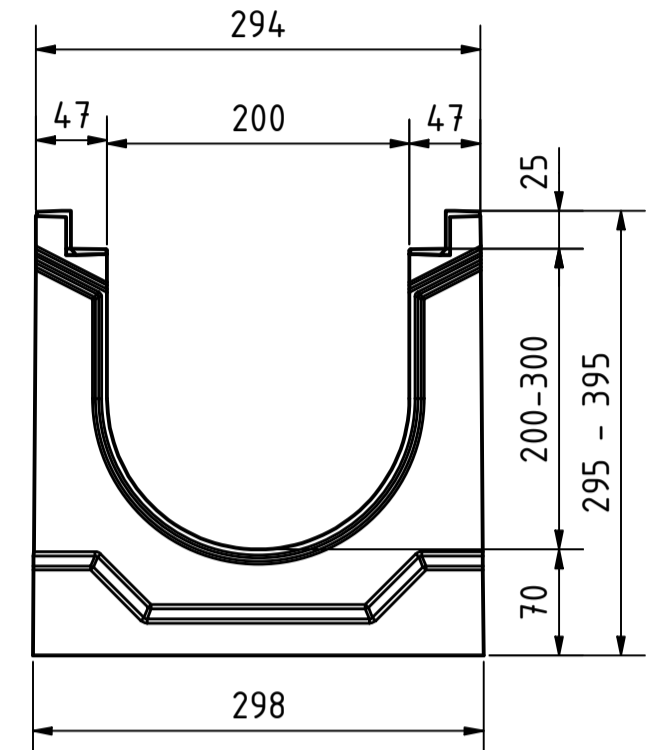
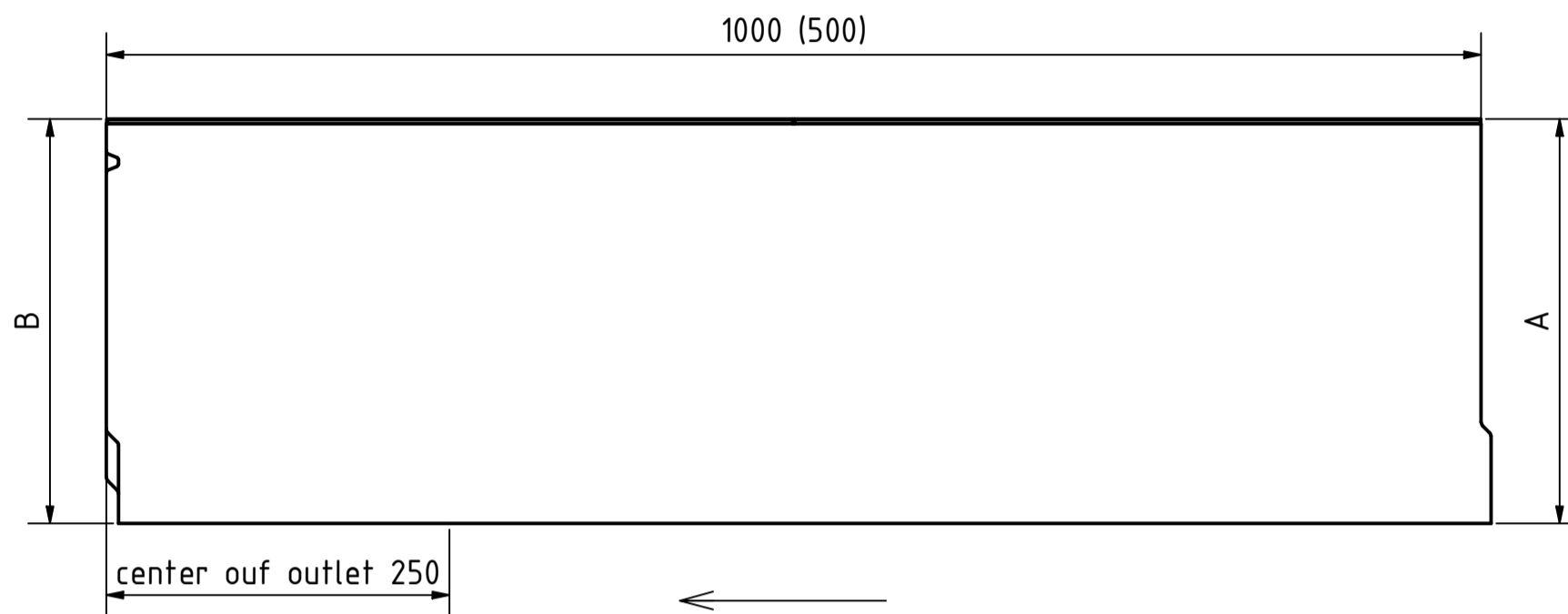


Rinne / Channel:

BGZ-S SV G

BG code: siehe Tabelle/see table:

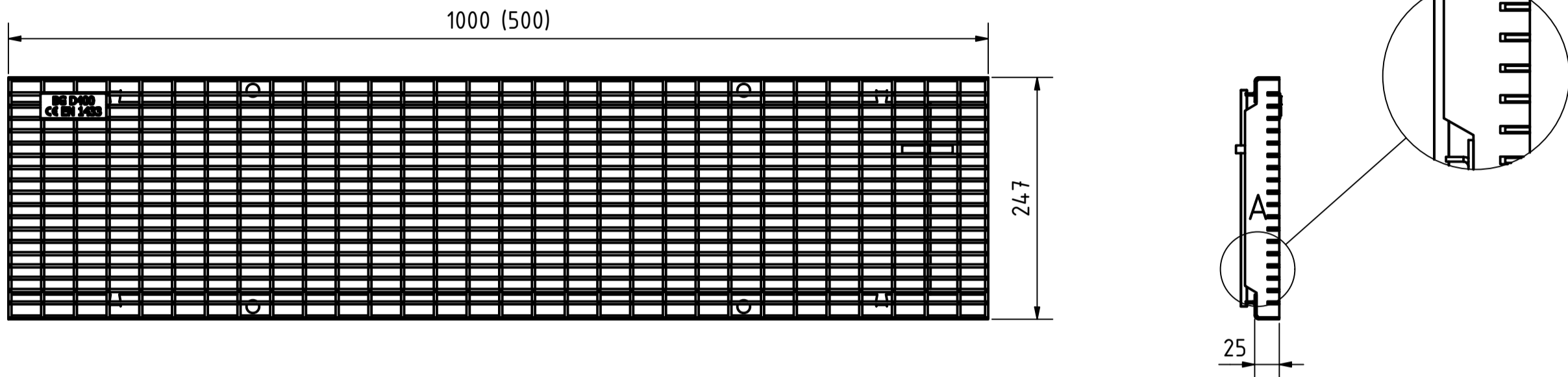


| Rinne / channel - Maße / dimensions | | | | | |
|-------------------------------------|----------|--------------------|--------------------|-----------------|-----------------------------|
| BG code G | Typ | Höhe A height A | Höhe B height B | Länge length | Gewicht [kg] weight [kg] |
| 16700 | 0 | 295 | 295 | 1000 | 114 |
| 16716 | 0 (0,5m) | 295 | 295 | 500 | 57 |
| 16706 | 1 | 295 | 300 | 1000 | 114,4 |
| 16707 | 2 | 300 | 305 | 1000 | 115,5 |
| 16708 | 3 | 305 | 310 | 1000 | 116,5 |
| 16709 | 4 | 310 | 315 | 1000 | 117,5 |
| 16710 | 5 | 315 | 320 | 1000 | 118,5 |
| 16701 | 5-0 | 320 | 320 | 1000 | 119 |
| 16711 | 6 | 320 | 325 | 1000 | 119,5 |
| 16712 | 7 | 325 | 330 | 1000 | 120,5 |
| 16713 | 8 | 330 | 335 | 1000 | 121,5 |
| 16714 | 9 | 335 | 340 | 1000 | 122,5 |
| 16715 | 10 | 340 | 345 | 1000 | 123,5 |
| 16702 | 10-0 | 345 | 345 | 1000 | 124 |
| 16727 | 20-0 | 395 | 395 | 1000 | 134 |

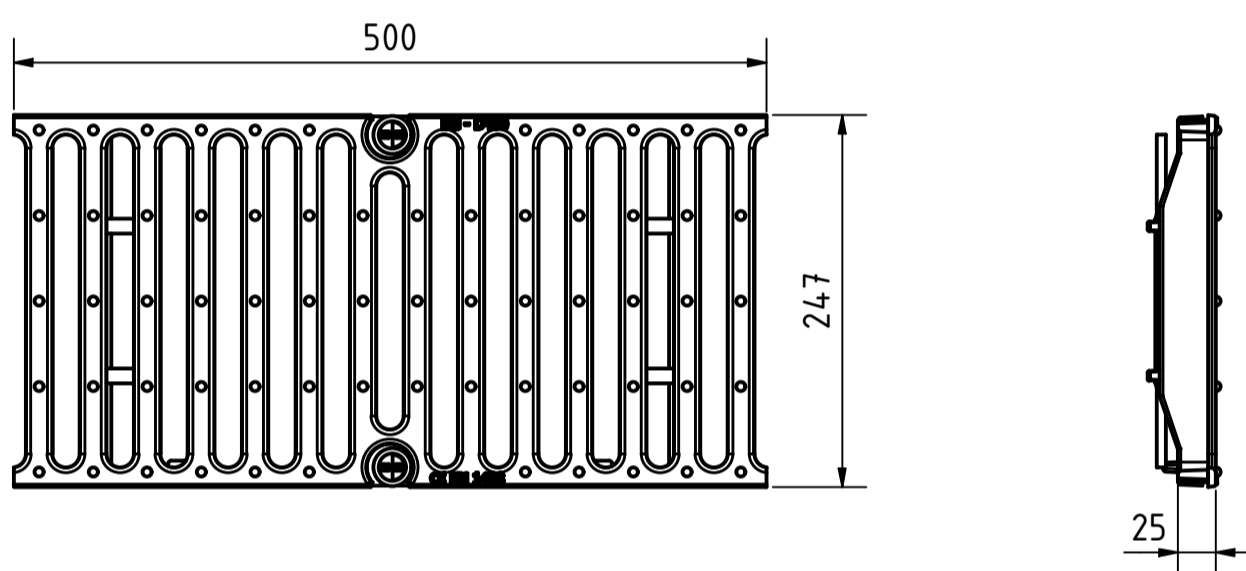
| Legende / explanation: | |
|------------------------|-------------------------------------|
| V: | verzinkter Stahl / galvanized steel |
| G: | Gußeisen-Zarge / cast iron edge |
| GJS: | Gußeisen / ductil iron |

Roste, Abdeckungen / grates, covers:

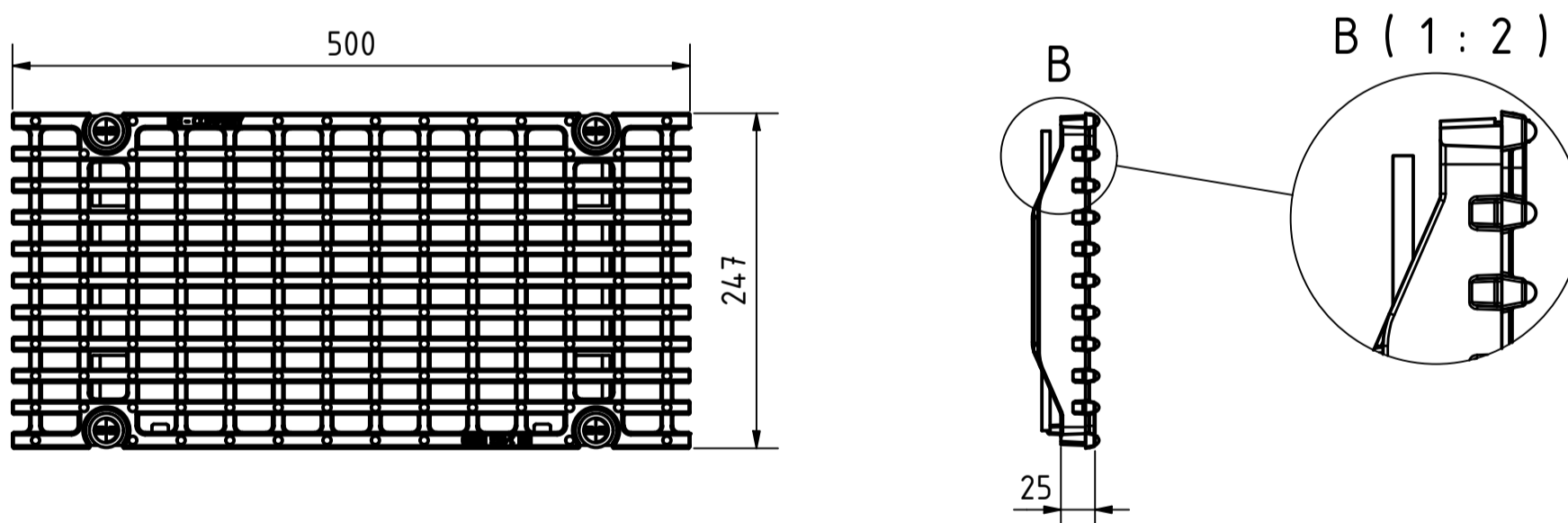
Gitterrost / Mesh grating: MW 30/10, D400
BG code: V 23270 (23271); 16 kg (8,2 kg)



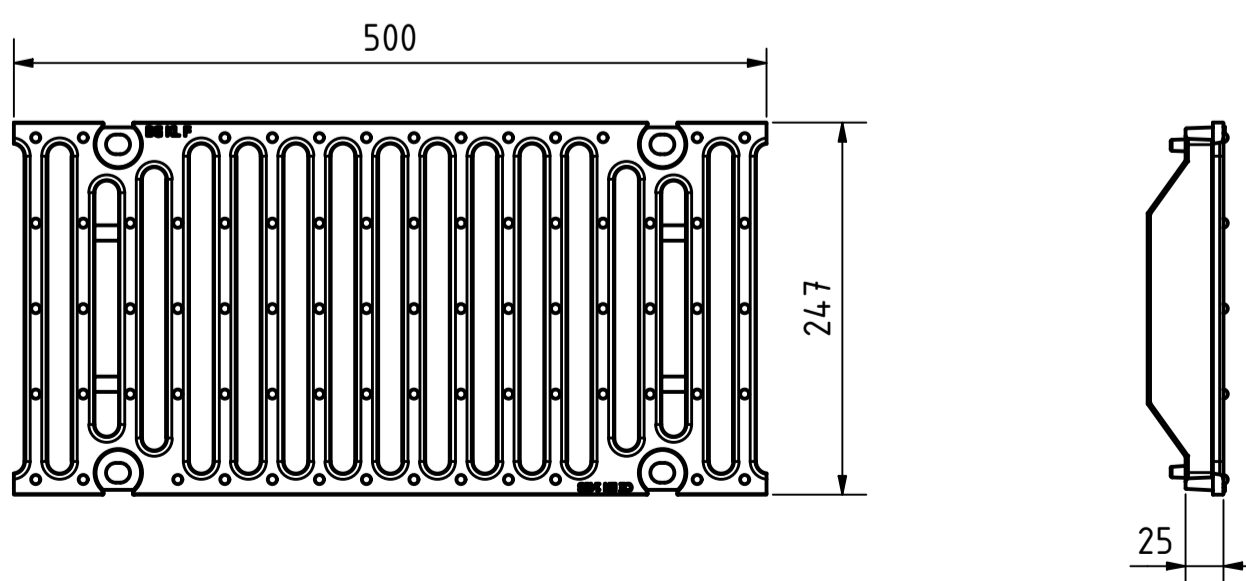
Guß-Stegrost / Ductile iron slotted grating: SW 18/220, D400
BG code: GJS 22079; 8,2 kg



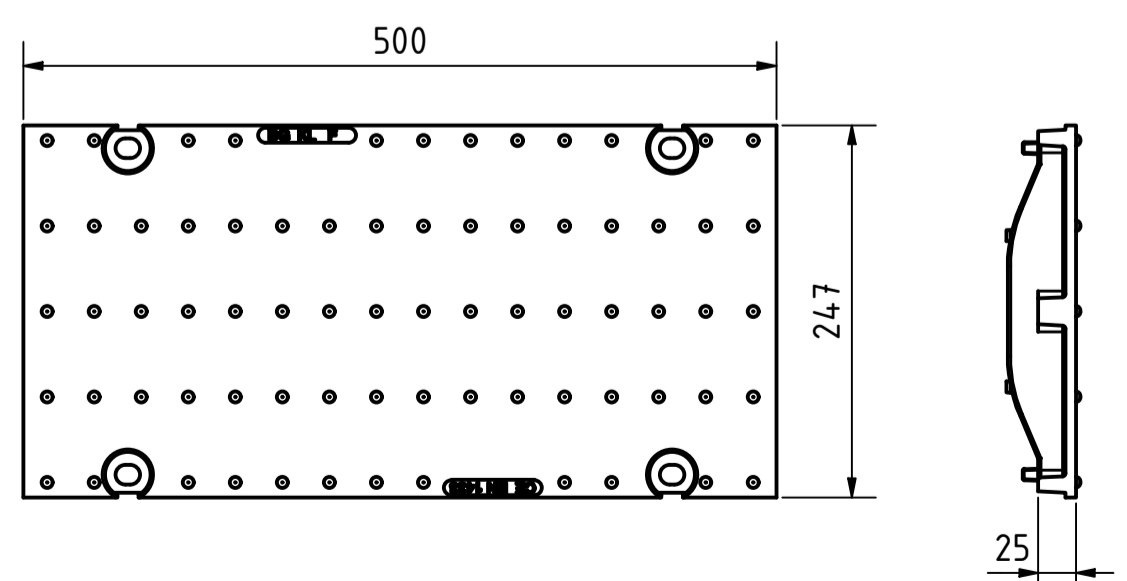
Guß-Längsstabrost / Ductile iron longitudinal bar grating: MW 27/13, E600
BG code: GJS 22774; 9,1 kg
BG code inkl. Verschraubungsmaterial / incl. bolting material: GJS 22775; 9,4 kg



Guß-Stegrost / Ductile iron slotted grating:
SW 16/120, F900
BG code: GJS 22073; 13,8 kg



Guß-Abdeckung / Ductile iron cover: F900
BG code: GJS 22078; 17,1 kg

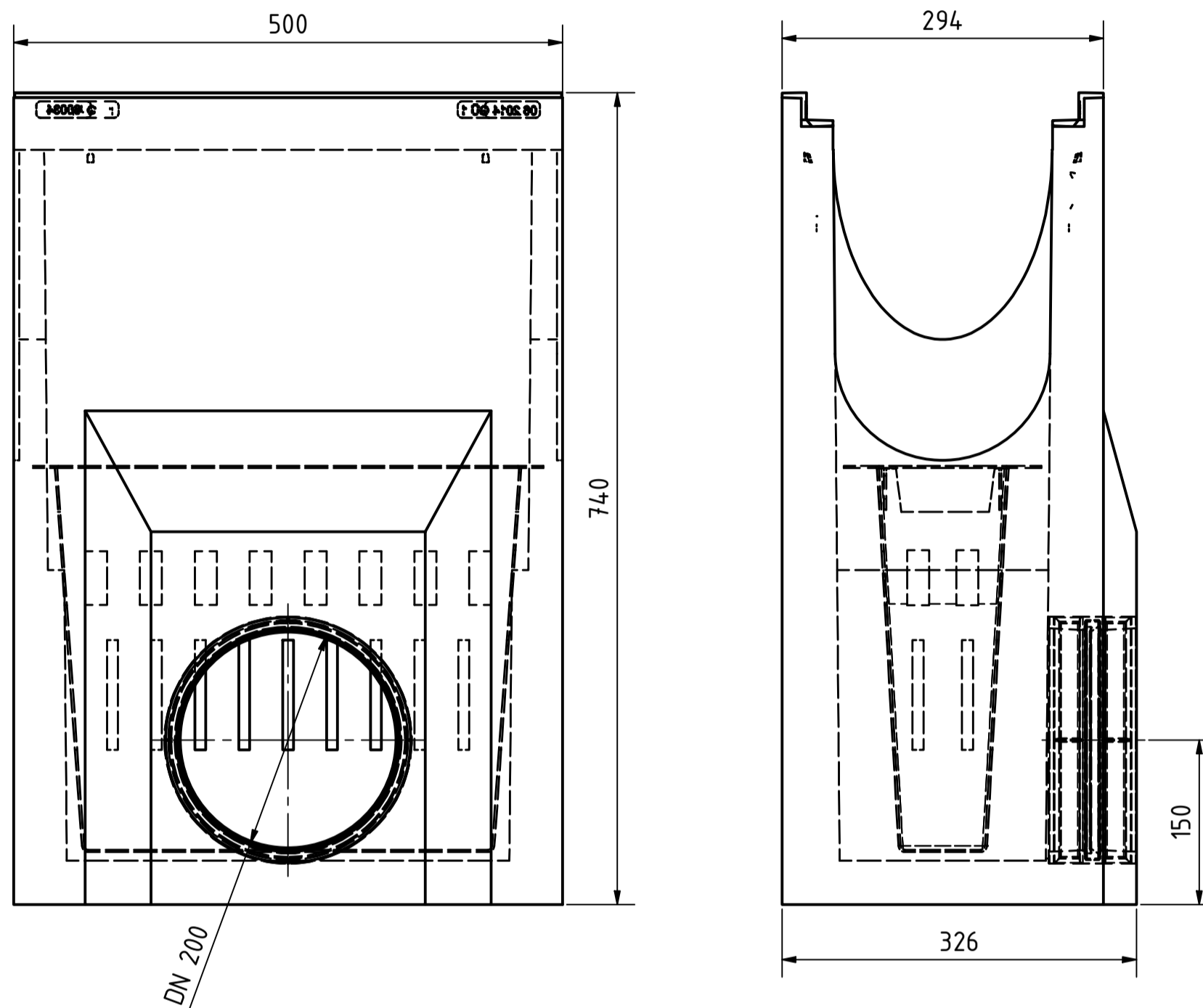


Zubehör / accessories:

Sinkkasten / Sump unit:

optional: Schlammmeimer / Silt bucket (22512; 0,7 kg)

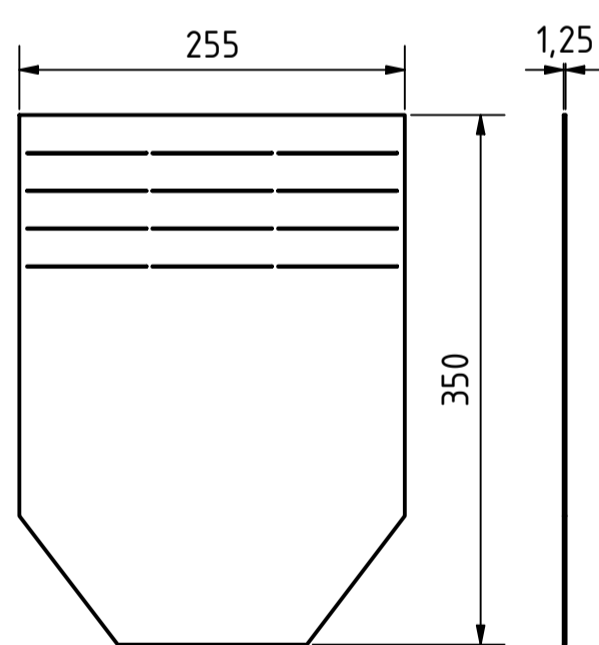
BG code: 22204; 105 kg



Stirnplatte / Front cap:

BG code: V 22240;

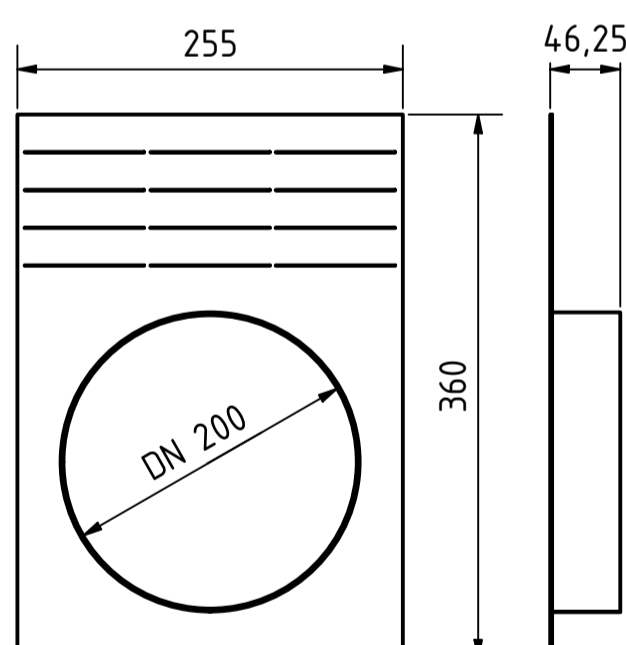
0,7 kg



Endplatte m. A. / End cap w. o.:

BG code: V 22241;

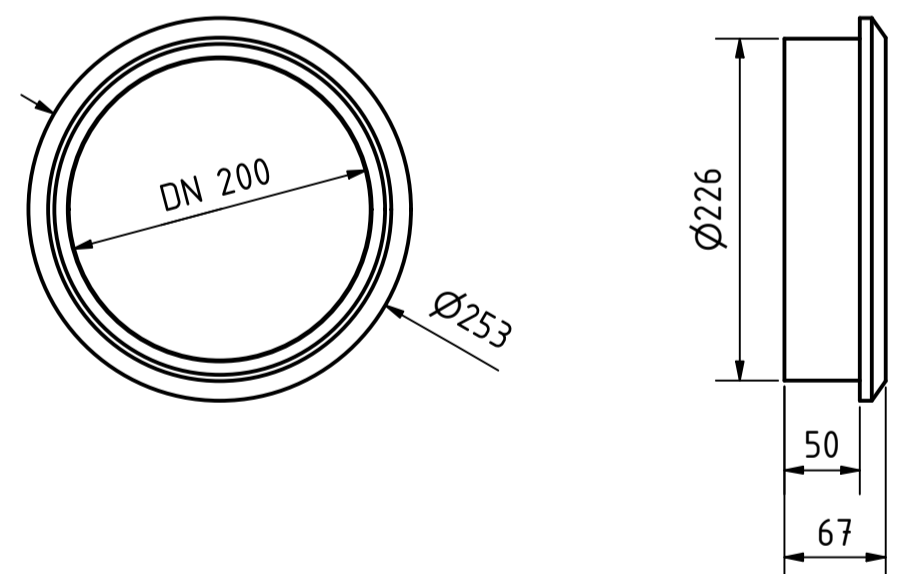
0,9 kg



Forsheda-Dichtung /

forsheda sealing DN200:

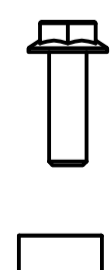
BG code: 31312; 0,6 kg



Verschraubungsmaterial / Bolting material:

Gitterrost / Mesh grating:

BG code: V 22280



Gußrost / Ductil iron grating:

BG code: V 22281

