

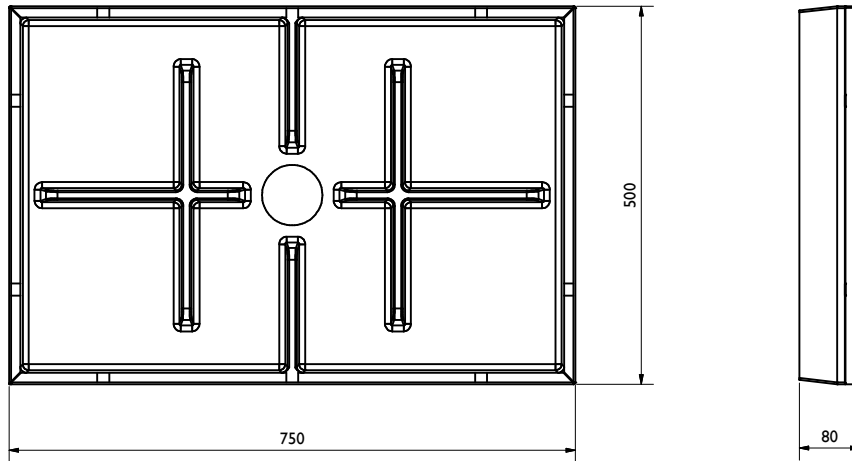
BG-FILCOTEN step  
750/500/80



GRASPOINTNER  
Sustainable innovation.

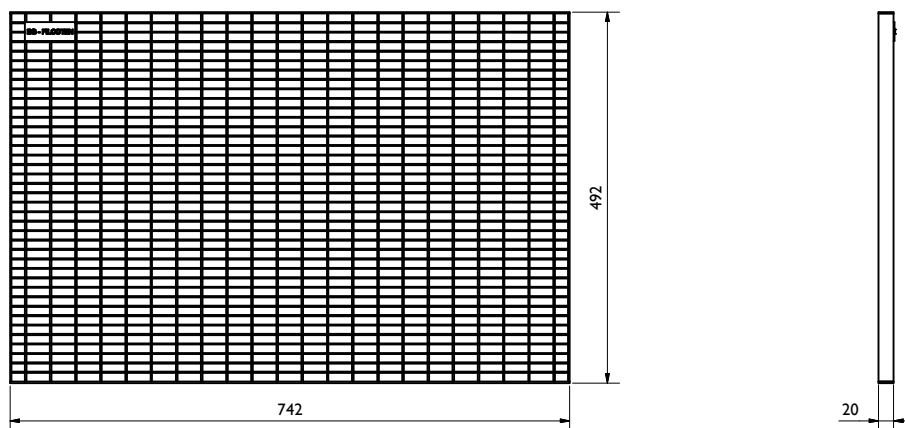
Schuhabstreifer Kasten / shoescraper-box:

BG code: FCT 14155002; 18 kg:

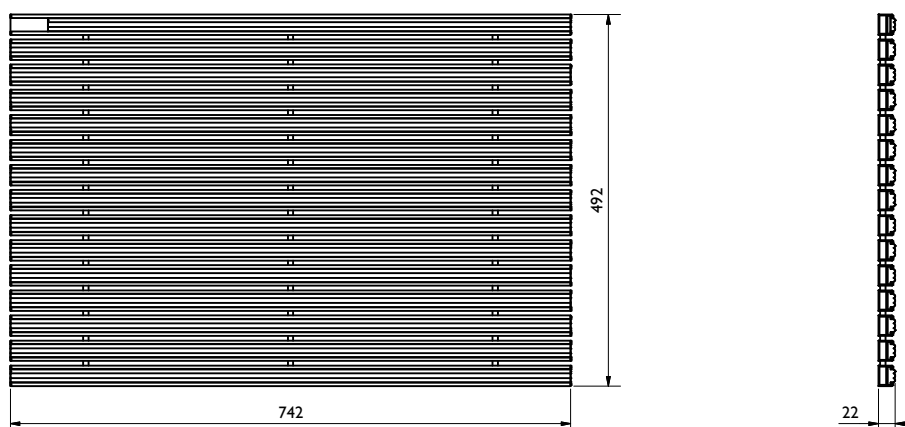


Roste, Abdeckungen / grates, covers:

Gitterrost / Mesh grating: MW30/10  
BG code: V 17555002; 6,7 kg:



Rips-Matte / rips mat  
BG code: 17555012; 5,3 kg:



Gummi-Profil-Matte / rubber-profile mat  
BG code: 17555022; 7,4 kg:

