

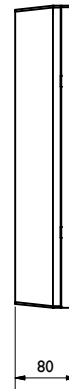
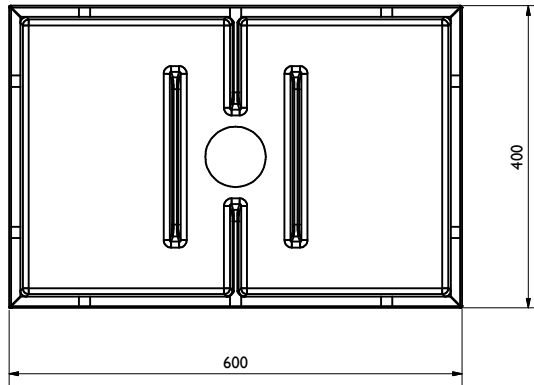
BG-FILCOTEN step
600/400/80



GRASPOINTNER
Sustainable innovation.

Schuhabstreifer Kasten / shoescraper-box:

BG code: FCT 14155001; 13,2 kg:



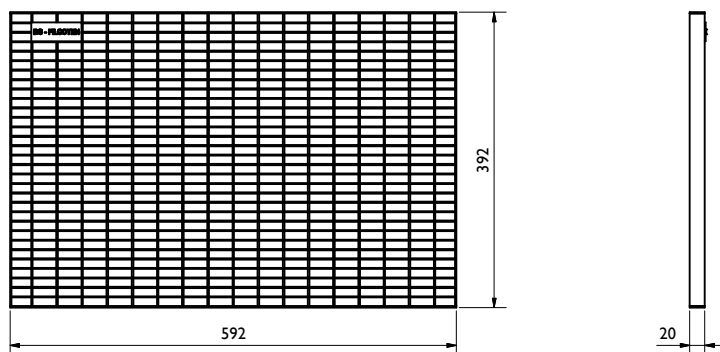
BG-FILCOTEN step 600/400/80



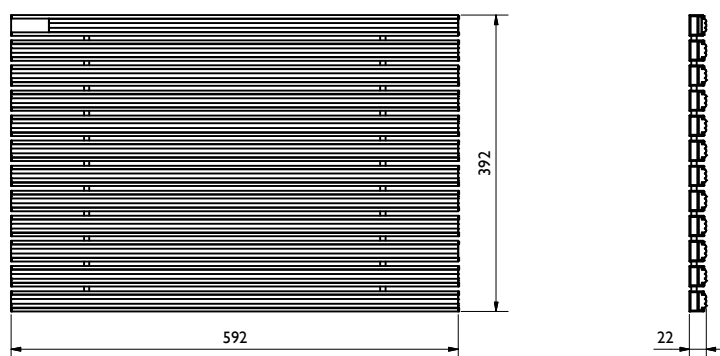
GRASPOINTNER
Sustainable innovation.

Roste, Abdeckungen / grates, covers:

Gitterrost / Mesh grating: MW30/10
BG code: V 17555001; 4,8 kg:



Rips-Matte / rips mat
BG code: 17555011; 3,3 kg:



Gummi-Profil-Matte / rubber-profile mat
BG code: 17555021; 4,6 kg:

